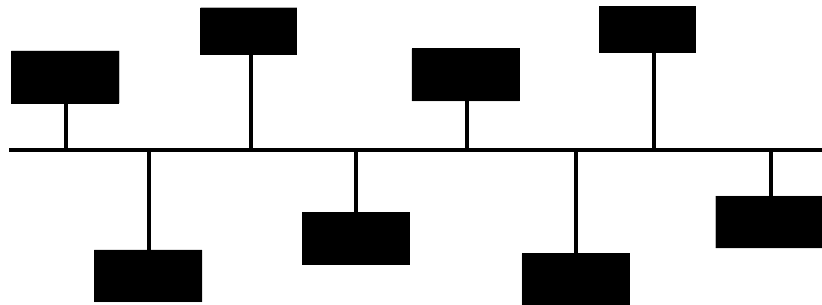


CNA/eCNA Automation



Setup and Installation Manual



Revision 2.00
March 2005

eCNA/CNA Automation

Installation Manual

PR001 Revision 2.00

This manual covers the installation of the eCNA/ CNA automation and associated hardware.

Optional CineNet and related equipment is covered in the following product reference manuals:

- PR001 CNA Installation Manual
- PR002 CNA-200 Setup and Operation Manual
- PR003 CNA-150 Setup and Operation Manual
- PR004 CNA-100 Setup and Operation Manual
- PR005 QDC-400 Installation and Setup Manual
- PR006 ACP-50 Installation and Setup Manual
- PR007 RVC-5 Installation and Setup Manual
- PR008 PCI-64 Gateway Interface Installation
- PR009 CineNet Host Software
- PR010 RCM-10/RSM-10/RSM-20 Installation and Operation Manual
- PR011 Strong Dimmer Installation, Setup, and Operation Manual
- PR012 eCNA-100 Automation Manual
- PR013 eCNA-150 Automation Manual
- PR014 eCNA-200 Automation Manual
- PR016 Strong FP350 Installation and Operation Manual
- PR017 Eprad FP350 Installation and Operation Manual
- PR018 Paging system Setup and Installation Manual
- PR019 VNC Setup and Operation Manual
- PR020 CineSuite Installation and Operation Manual

Warranty

CineNet automation products, sold by STRONG INTERNATIONAL, are warranted against defects in materials and workmanship for one year from the date of purchase. There are no other express or implied warranties and no warranty of merchantability or fitness for a particular purpose.

During the warranty period, STRONG INTERNATIONAL will repair or, at its option, replace components that prove to be defective, provided the unit is shipped prepaid to the manufacturer directly or via an authorized distributor. Not covered by this warranty are defects caused by modification, misuse or accidents and any further damage caused by inadequate packing for service return.

STRONG INTERNATIONAL's obligation is restricted to the repair or replacement of defective parts and under no circumstances will STRONG INTERNATIONAL be liable for any other damage, either direct or consequential.

Information in this document is subject to change without notice. No part of this document may be reproduced or transmitted in any form or by any means, electronic or mechanical, for any purpose, without the express written permission of STRONG INTERNATIONAL.

© 1997 - 2005 STRONG INTERNATIONAL. All rights reserved.

Table of Contents:

System Overview	1
Introduction	1
Product Description	2
Local I/O Network (LIN)	2
Local Synchronous Network (LSN)	2
System Components	3
Termination Panels	3
Dual Termination Panels	4
Console Termination Panel	4
Booth Termination Panel	5
Single Termination Panel	6
Operator Interface	7
Installation	8
Equipment Required	8
Equipment Inspection	8
Wiring the CNA System	8
Power Supply (P/N 39328)	10
LSN and LIN Communications Wiring	12
Wiring Technique	14
Termination Boards	15
Console Termination Board	15
39334 I/O CPU Board	17
Booth Termination Board	27
Single Termination Board	36
BTC-10 Booth Termination Cabinet	48
Configuring the CNA System	53
Network ID	53
Alarm loudness	56
Status LEDs	56
Battery	57
Mainboard Configuration	58
Switch Definitions, eCNA-200	59
Switch Definitions, CNA-200	63
Switch Definitions, eCNA-150	67
Switch Definitions, CNA-100/ 150	71
Switch Definitions, eCNA-100	75
System Block Diagrams	78
Index	84

System Overview

Introduction

The CNA Cinema Network Automation is a CINENET™ compatible automation system specifically designed for the Motion Picture Theatre industry. The system is modular in design, consisting of the operator interface and system I/O devices. The Main Computer and each I/O device is defined by its function and location within the projection booth. All CNA automation systems and remote stations both in the projection booth and distributed throughout the multiplex are accessible remotely through a serial link. Its daisy chain topology is both simple and efficient in design.

A CINENET™ Gateway PC card and host software is available to facilitate a broader level of control over the CNA's functions. This product will provide a PC interface to the CNA automations allowing management more flexibility in the areas of programming, real-time data and diagnostic information, and the monitoring of all systems connected to the network.

Installers of the CNA are encouraged to read all sections of this manual and the *Set-up and Operation* manuals and to become familiar with the system and its capabilities. This automation was designed to be easy to setup and operate. It is highly recommended that users also familiarize themselves with the system's attributes and understand its overall function. With a solid understanding of how the CNA operates you can take full advantage of all its capabilities. The Installation section of the manual provides detailed wiring diagrams to aid in the installation process. A special section entitled *Installation Guidelines* is included to provide the installer with a set of important rules to follow that will help insure a reliable and successful installation.

If while installing or operating the CNA automation you find any part of the manual to be unclear or incorrect, please bring it to our attention.

It is our desire to provide our customers with both helpful and accurate information. Please contact Strong International at (800)-424-1215 or visit <http://www.strong-cinema.com> for further information.

Product Description

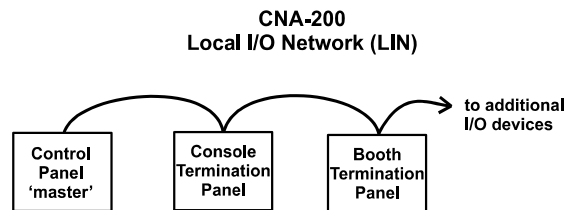
The CNA Cinema Network Automation System is a microprocessor based computer automation designed to control all aspects of the theatre presentation. The major features of the CNA are described in the following sections.

Local I/O Network (LIN)

Each system component is connected to the network and communicates via a five wire (data+, data-, power, ground, and shield) cable. This cable provides serial communication as well as power to the termination panels. This is called the "Local I/O Network". The standard devices that make up the system are the:

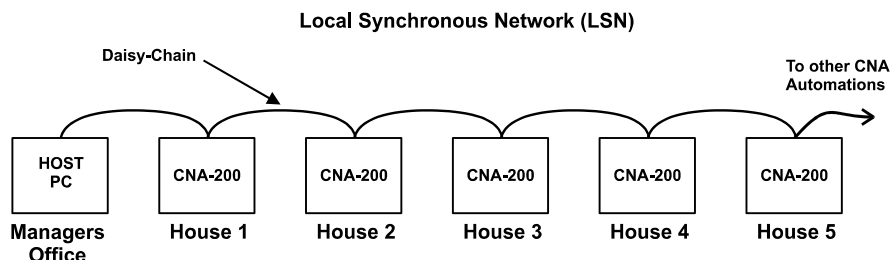
1. Control Panel
2. Termination Panel(s)

The Control Panel contains the main microprocessor control board which functions as the 'master' of the system. The termination panel handles the I/O function and is connected to the control panel by the serial communications link. The devices are connected via a daisy-chain topology and geographically distributed according to your facility's requirements.



Local Synchronous Network (LSN)

The "Local Synchronous Network" is a three-wire (data+, data-, and shield) data link that will support CNA Automations, remote stations, synchronous communications for interlock, network copy functions and a Host PC. The automation systems are also interconnected with a daisy-chain configuration whereby the communications line continues from one unit to the next.



System Components

The standard components that make up the automation system LIN are described in the following sections.

Termination Panels

The CNA Control Panel currently supports two types of termination systems. The type used depends on the specific requirements of the projection booth designers.

The Dual termination system consists of two panels that support all standard console and booth equipment control I/O. The functions are logically divided between the two boards according to the location of the projection booth equipment. The *Console* termination panel controls the equipment that is normally associated with the console system such as the projector, lamp, film monitoring, etc. The *Booth* termination panel controls other functions such as masking, curtains and lights. The Dual termination system's versatility lies in that it allows the Booth termination panel to be located in a place other than the console.

The Single termination system combines most of the functions of the Console and Booth units into a single panel. This panel provides the option of a single, lower-cost alternative for installations that do not require all of the options that separate units provide.

Dual Termination Panels

Console Termination Panel

This panel supports the input and output termination interface and provides connections for standard booth functions as listed below:

Outputs:

- Projector Motor; On/Off
- Xenon Lamp; On/Off
- Changeover; Open/Close
- Lens Turret; Flat/Scope/Special
- Slide Projector; On/Off

Inputs:

- Film Presence
- Film Motion
- Film Tension
- Cue Input
- Xenon Fault

Features:

- High current *dry(unpowered)* relay contact outputs.
- High current override connector for plug-in cable to override switches.
- Projector motor and Changeover fuse.
- Plug-in I/O CPU Control Board to handle I/O and serial interface.
- Terminal Blocks for connection to the console equipment.

The I/O Control Board simply plugs onto the relay board to provide I/O and the network interface. The relays and I/O CPU Control Board get their power from the LIN interface.

Booth Termination Panel

This panel provides outputs to control the following functions:

Outputs:

- Top Masking; Flat/Scope/Special
- Side Masking; Flat/Scope/Special
- Curtains; Open/Close
- House Lights; Up, Down, Mid 1, Mid 2
- Stage Lights; Up, Down
- Environment; On/Off
- Slide Projector; On/Off
- Sound Processor; Mono, SVA, SR, Digital 1, Digital 2, Aux 1, Aux 2, Nonsync, Mute, preamp 1, preamp2,

Inputs:

- Remote Start
- Remote Stop/Fire Stop

Features:

- Low current dry relay contact outputs.
- High current dry relay contact outputs for Slide Projector and Environment Control
- A plug-in I/O CPU Control Board to handle I/O and serial interface.
- Override connector for plug-in cable to override switches.
- Override connector for optional override switches.
- Large terminal blocks for user interface.

This Panel (PC board) will connect to the to the Local I/O Network (LIN). The outputs are then configured at the PC Host.

The relays and plug-in I/O CPU Control Board get their power from the LIN cable. This board will generally be mounted in a cabinet on the booth wall, but can also be mounted in the console next to the Booth Termination Panel.

Single Termination Panel

This panel combines most of the functions of both the Console and Booth Termination Panels. The connections and functions are listed below:

Outputs:

- Projector Motor; On/Off
- Xenon Lamp; On/Off
- Changeover; Open/Close
- Lens Turret; Flat/Scope/Special
- Slide Projector; On/Off
- Masking; Flat/Scope/Special
- Curtains; Open/Close
- House Lights; Up, Down, Mid 1, Mid 2
- Stage Lights; Up, Down
- Sound Processor; Mono, SVA, SR, Digital, Aux, Non-sync, Mute

Inputs:

- Film Presence
- Film Motion
- Film Tension/Remote Stop
- Cue Input
- Xenon Fault

Features:

- Low current *dry* relay contact outputs.
- High current *dry* relay contact outputs.
- Override connectors for plug-in cable to override switches.
- Projector motor fuse.
- Changeover fuse.
- Plug-in I/O CPU Control Board to handle I/O and serial interface.
- Terminal Blocks for connection to the console and booth equipment.

The relays and I/O CPU Control Board get their power from the LIN cable. The Control Board plugs into the relay board and facilitates I/O and network interface.

Control Panel (Operator Interface)

The automation controller and front panel unit was designed to be mounted in a standard 19" rack. The unit houses the main CPU, the front panel interface and the power supply for local and network power.

Communications to the termination boards and other remote CNA systems is accomplished via two serial ports on the Main CPU:

--*The Local I/O Network Com Port* - This is the interface for the Local I/O Network (LIN) that will support the Main I/O Interface, the Console, Booth, or single Termination Panels and other auxiliary devices.

--*The Local Synchronous Network Com port* - This is the interface for the Interlock and Copy function between CNA systems, Programming, Remote Monitoring and PC Host.

The control panel is used to setup, program and run the shows. It also locally displays error and status messages to the user. The control panel can incorporate up to nine optional override switches used for emergency manual control. These are front panel rocker switches and the operator should be familiar with their purpose and use. All manual controls circumvent the electronic circuitry giving the operator the ability to control the major functions of the booth in the event of an automation failure.

The manual control functions are listed below:

1. PROJECTOR - Maintained ON/AUTO
2. LAMP - Maintained
3. CHANGEOVER - Momentary OPEN/CLOSE
4. LENS (*LENS & MASKING) - Momentary FLAT/SCOPE
5. LENS (*LENS & MASKING) - Momentary SPECIAL
6. CURTAIN - Momentary OPEN/CLOSE
7. HOUSE LIGHTS - Momentary UP/DOWN
8. STAGE LIGHTS - Momentary UP/DOWN
9. AUXILIARY - Momentary ON1/ON2

*Front panel with DPDT switches.

Installation

The Installation section of this manual provides detailed wiring diagrams to aid in the installation process. A special section entitled *Installation Guidelines* is included to provide the installer with a set of important rules to follow. These will help facilitate a successful and trouble free installation.

Equipment Required

The CNA should be installed only by an electrician, engineer or other qualified personnel. No special equipment or tools are required for installation. Typically the CNA main controller and termination panels will be mounted in the Strong console and factory pre-wired.

Equipment Inspection

The equipment should be carefully inspected for signs of visible damage resulting from transportation or mis-handling. Please notify the freight carrier immediately if damage is found. Do not attempt installation of a damaged unit, further damage or personal injury could result.

Wiring the CNA System

The CNA automation system is a microprocessor based theatre automation. Observed field installations over the past several years have indicated that common wiring practices vary by region and by installation. For this reason, a set of guidelines which will assist with the successful installation of the CNA system is listed below.

Microcomputers by their very nature, are susceptible to noise and power supply fluctuations. While the CNA system was designed to function in an electrically noisy environment and will perform well in most cases, it is to the benefit of the end user that these guidelines be followed.

The items listed below are the results of over 25 years of experience and are common, accepted practice for the installation of industrial microcomputers. The cost of implementation is minimal while their benefit is immeasurable.

1. Observe all national and local electrical codes during installation. Run *clean* power (dedicated to the CNA systems only) to all automations from the service entrance panel or the closest branch panel. The line, neutral and ground wires should all run back to the main service panel (separate from all other loads). It is recommended that all automation should be run from a single distribution point.

IMPORTANT NOTE: Do not connect the projector motors, changeovers, xenon rectifiers or other heavy or electrically noisy loads to this circuit.

2. It is imperative that the automation have a good ground. This is important in terms of safety and performance. The automation has an interference filter for the AC inputs. The specific intent of the filter is to reduce the effect of interference (noise) on the AC line that provides power to the unit, by providing a “leakage” path to ground from the power lines.

Important note: Unless an adequate earth ground is provided this leakage can pose an electrical shock hazard.

In new installations use a copper conductor (not the conduit) from the automation back to the service entrance ground. Connect all automations in the booth to this ground point. This arrangement is best and most reliable. If this is not practical, (such as a retrofit for example), provide the best “earth” ground possible.

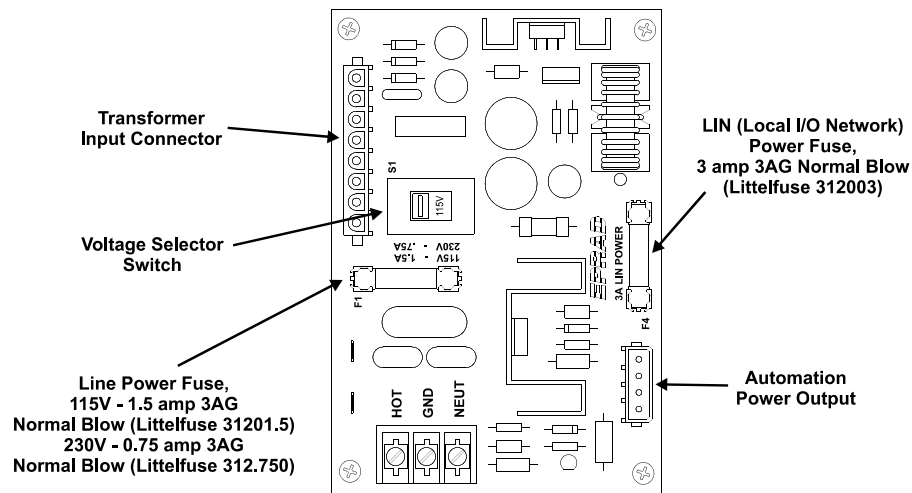
A second best setup would be to run copper wire back to the ground lug in a branch panel.

The minimum acceptable grounding method is conduit ground back to the branch box. In some installations satisfactory operation with this ground may not be possible.

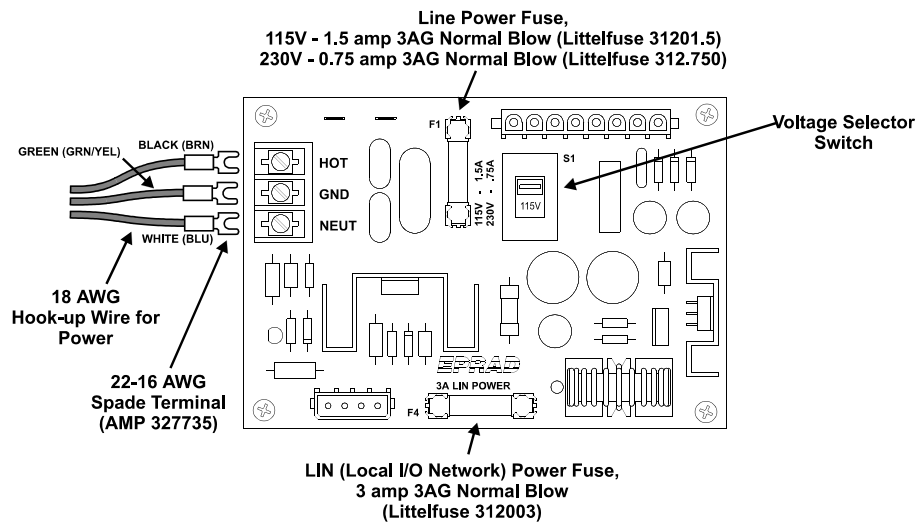
3. Do not run the line voltage power wires in the same raceways as the low voltage signal wires. This is important from both a safety standpoint and a system reliability standpoint. It is best to keep the failsafe, cue detector, LIN, LSN, sound format and dimmer control wires separate from projector motor, changeover, xenon lamp, and other power carrying wires. If it is essential that they be run in the same duct, keep them separated in the duct.

Power Supply (P/N 39328)

Before applying power, verify that the power supply inside the unit is set to the same voltage (120V or 230V) that will be powering the unit. If it is not, move the switch S1 to the appropriate position. To access the power supply, open the front panel by removing the three screws along the top-front of the unit. The power supply board is mounted to the back wall. The switch S1 can be set with a small *flat-blade* screwdriver.



Rack Mount Power Supply Configuration



Wall Mount Power Supply Configuration

Figure 1

There are also two fuses on the power supply board. F1 is the line power fuse and F4 is the LIN (Local I/O Network) power fuse. All units are shipped from the factory with a 1.5 amp line fuse (F1). If 230 volt ac operation is required, it is the responsibility of the installer to change this to a 0.75 amp fuse. (Littelfuse #312.750). Remember, before servicing these fuses, be sure power is removed from the unit.

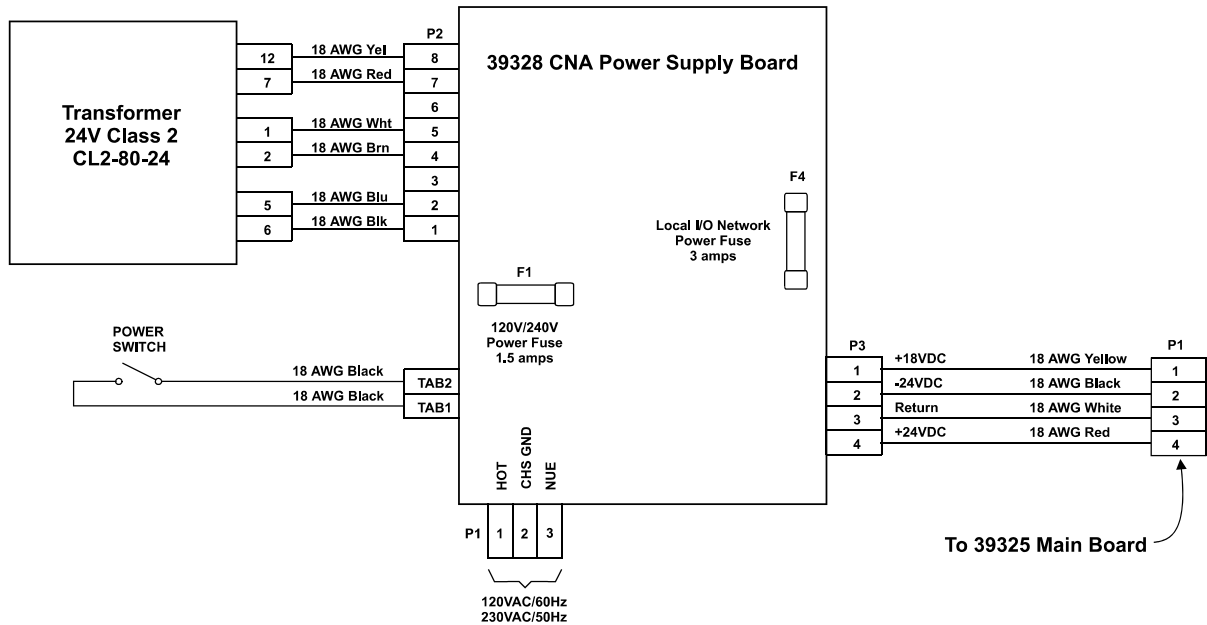
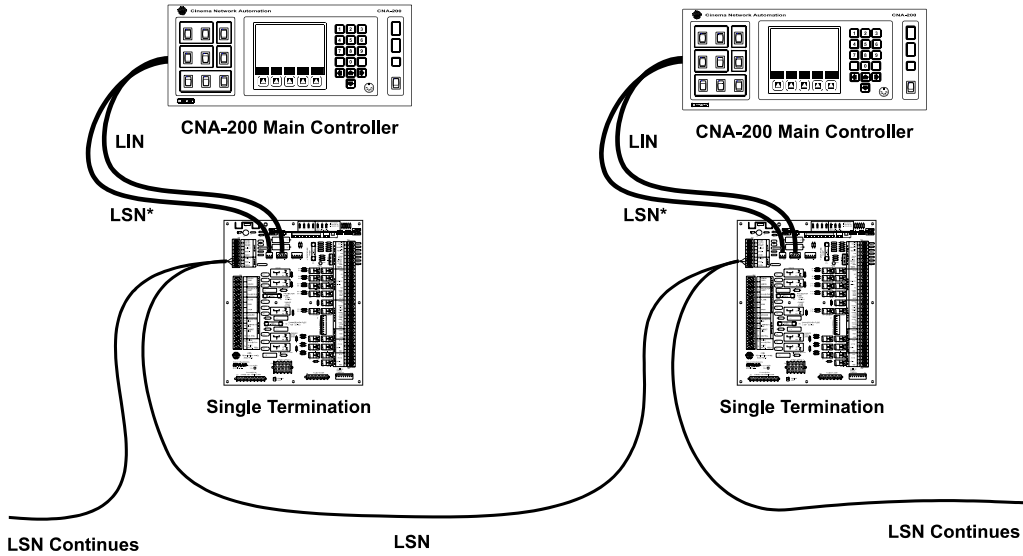


Figure 2

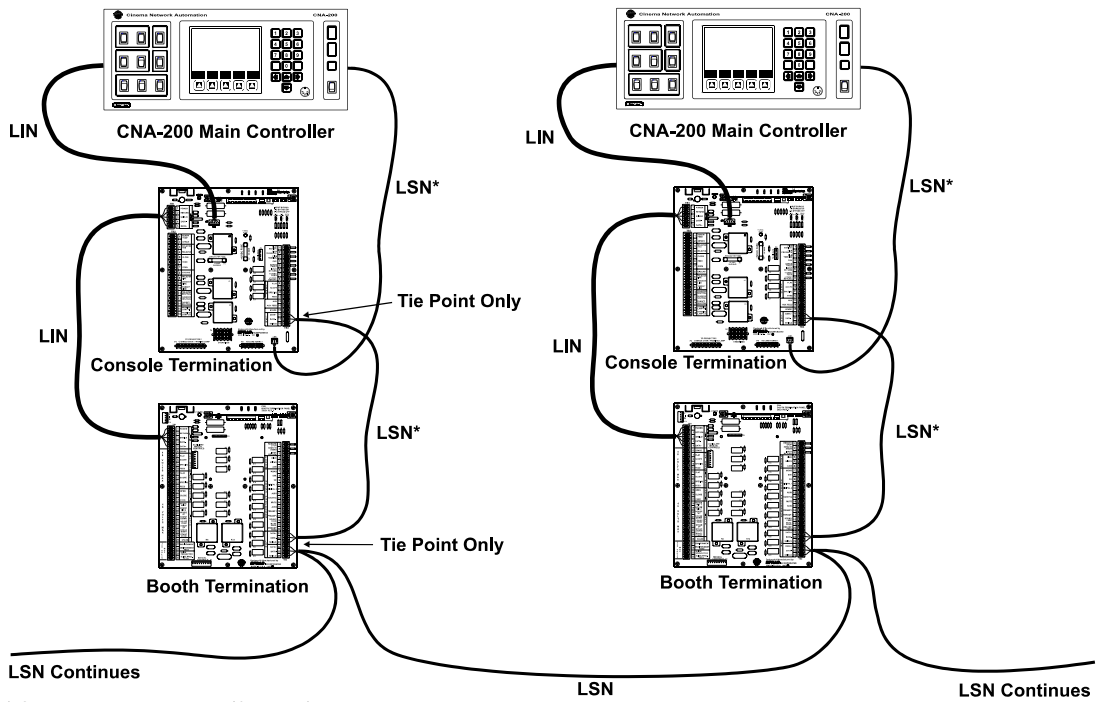
The CNA power supply provides three voltages to the automation via the 39325/ 39425 Main Board. The +24 and -24 volts are used for the computer and display. The +18 volts is used to power the LIN devices.

LSN and LIN Communications Wiring

Wiring between the CNA automations and the Termination boards are shown below. The wiring is accomplished with two communication networks. These are the LIN and LSN.



Wiring to the 39332 Single Termination Panel and between CNA-200 Automations



* Optional wiring method (See text)

Wiring to the 39330 Console and 39331 Booth Termination Panels and between CNA-200 Automations

Figure 3

The CNA main controller is connected to the termination boards via the LIN (Local I/O Network). This is a five wire cable (four wire + shield) that provides the serial data communications as well as power to the termination panels. The termination boards are connected in a *daisy-chain* method and are mounted in the booth according to their logical location. For example, the Console termination board would typically be mounted in the console, and the Booth termination board could be mounted in the console *or* on the booth wall (see BTC-10 manual).

LIN cable specifications: 2 twisted pair, 18 AWG with overall shield and drain wire (Alpha #5132C or equivalent).

Data communications between CNA systems is accomplished via the LSN (Local Sync Network). The LSN provides a communications path between the CNAs, Remote Monitors and a PC host. The network supports synchronous communications for interlock, copy functions and remote status and control.

The wiring diagram shows the LSN cable wired between the main controller and termination boards. The LSN connections on the termination boards are tie points only that provide a path to the main controller. It will typically be more convenient for the installer to connect CNA systems together at the Booth termination board.

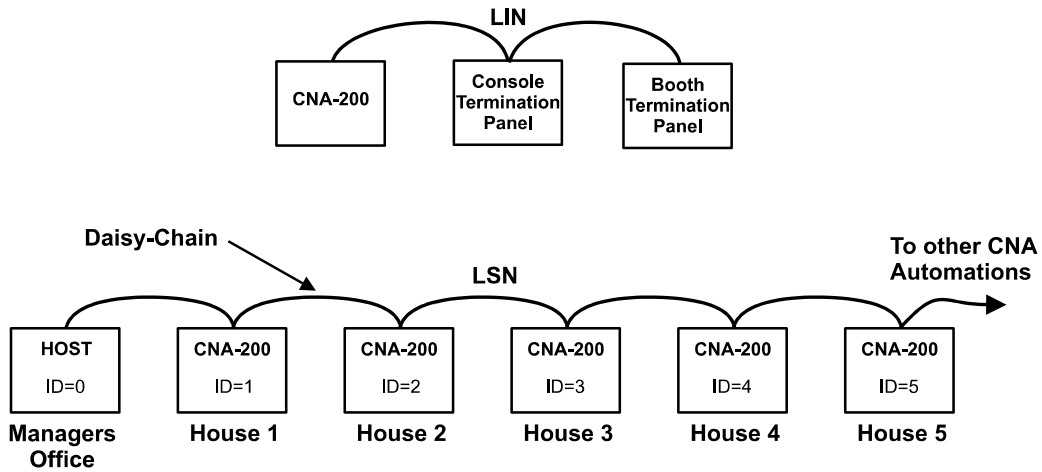
The cable is 3 conductor, twisted pair with a shield. Wire gage is dependent on the length of wire needed. In general, 24 AWG is sufficient. Many cable manufacturers offer a broad range of 120-ohm cables designed for RS-485 applications.

LSN cable specifications: Twisted pair, 24 AWG with overall shield and drain wire (Alpha #6412, Belden #9841 or equivalent).

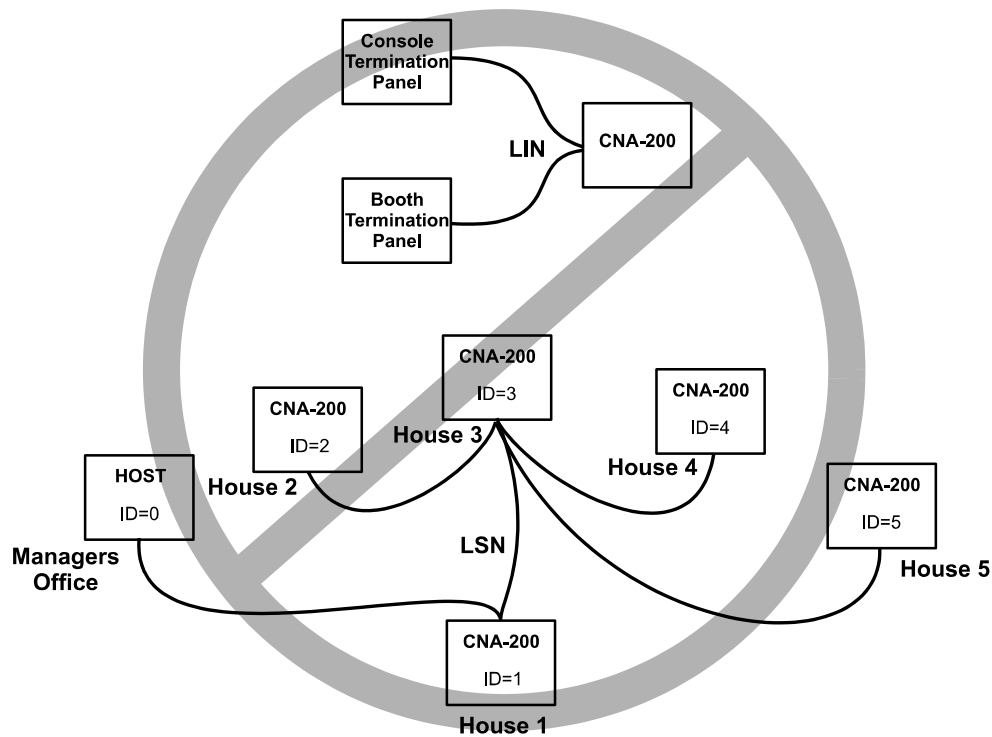
When planning the communications wiring, keep the cable away from equipment that generates electrical noise, such as power conduits, fluorescent lighting fixtures, air conditioners, etc. Choose cable routing paths in such a way to prevent damage to the cable.

The required method for communication wiring of the LSN and LIN is the daisy-chain configuration, a system in which the transmission line continues from one unit to the next. See the figure below for an example of the daisy chain connection topology. The bus must form a continuous path. Devices must not be branched or spoked.

Correct Wiring Technique



(a) Correct - The optimal configuration for the RS-485 bus is the daisy-chain connection.



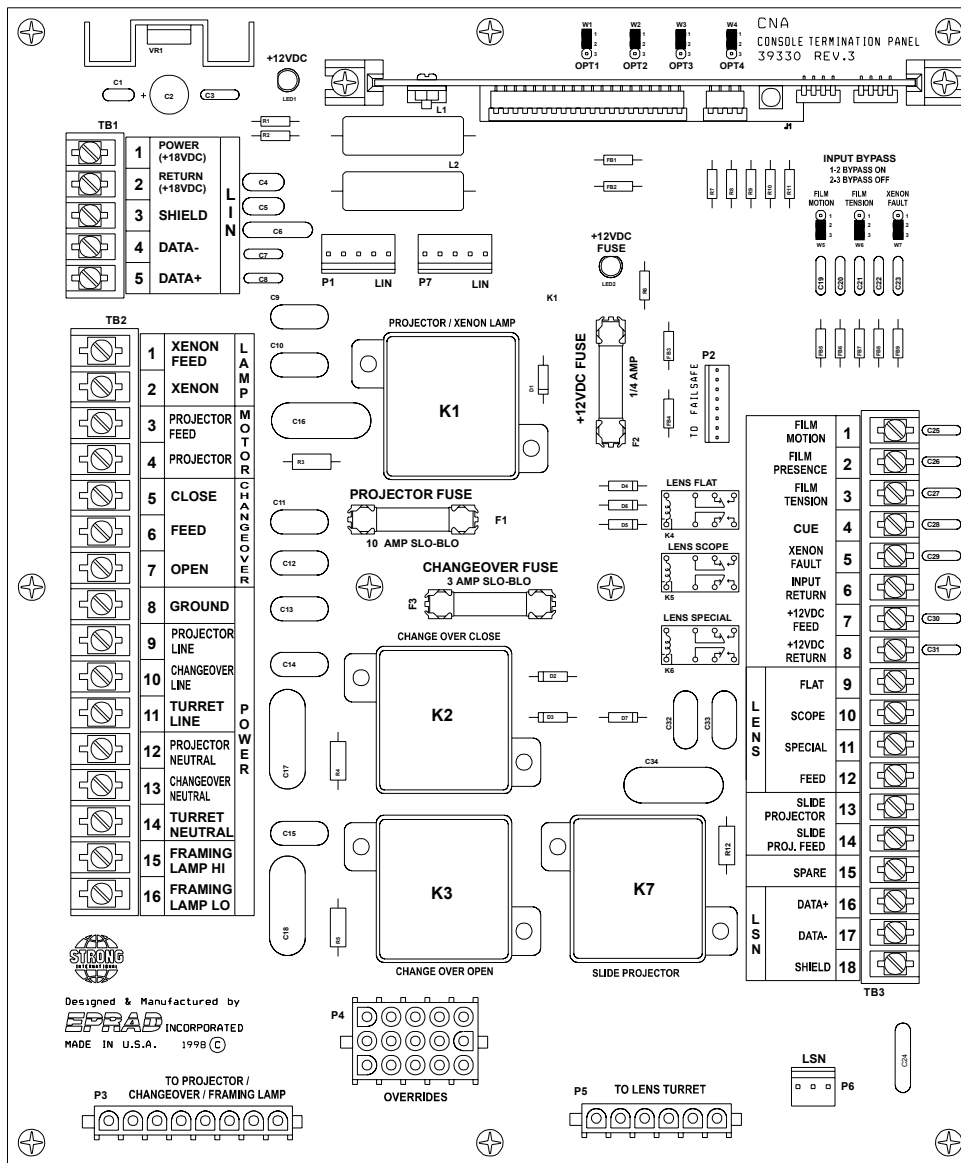
(b) Incorrect - This may create transmission line problems. Must be Daisy-Chained, not branched or home run.

Figure 4

Termination Boards

All booth and auditorium devices (xenon lamp, projector motor, lights, etc.) are wired to the Dual Termination Panels (39330 Console and 39331 Booth) or the Single Terminal Panel (39332).

Console Termination Board



39330 Rev. 3 Console Termination Panel
Figure 5

This is a functional block diagram of the 39330 Rev. 3 termination panel. All relevant signal paths are shown. This diagram can be useful for installation and troubleshooting.

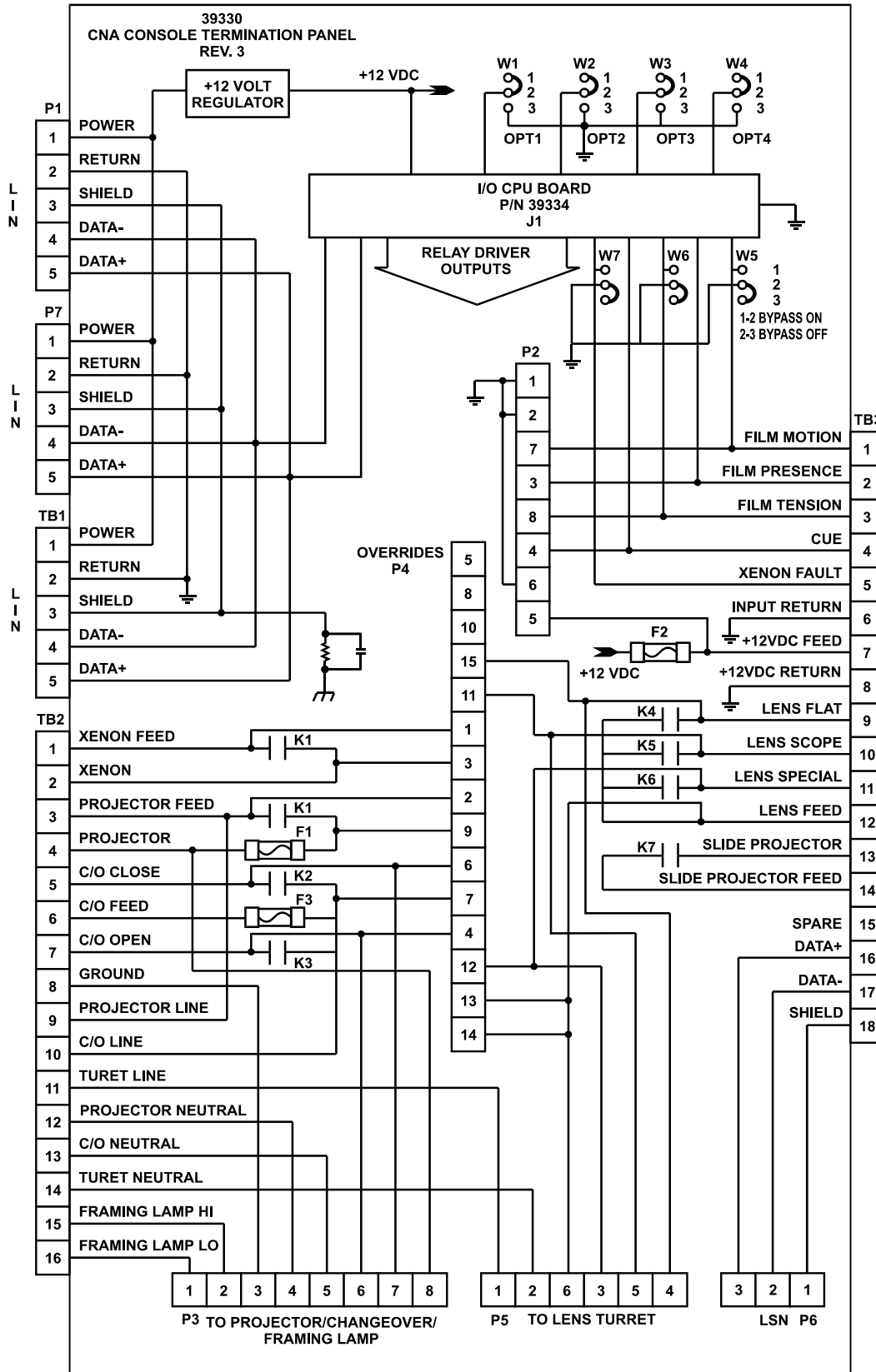


Figure 6

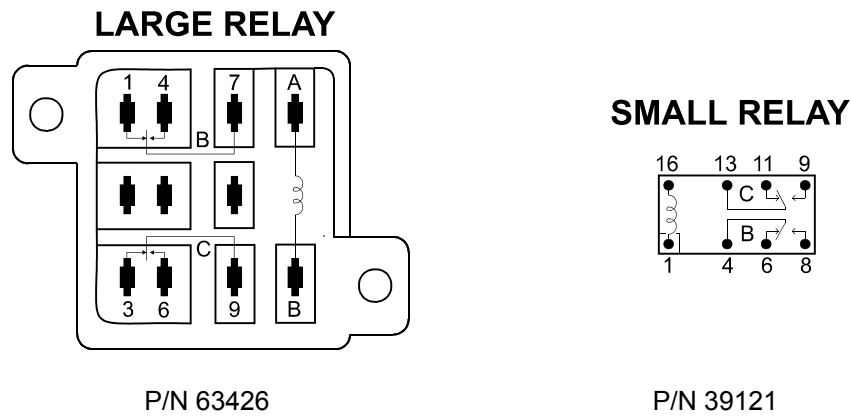
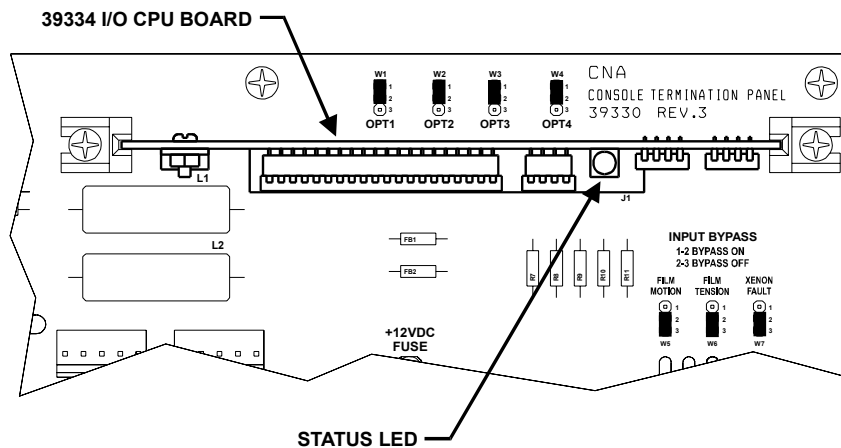


Figure 7

39334 I/O CPU Board Status LED

The 39334 I/O CPU Board plugs into the J1 connector on all termination boards. The purpose of this board is to handle the communications to the CNA Main Board and to control the inputs and outputs. The Status LED is used for troubleshooting and indicates 1 of 3 condition codes.



39334 I/O CPU Board.
Figure 8

- Condition 1: Fast Blink* - The I/O CPU computer is working and is communicating properly with the CNA.
- Condition 2: 1 Blink On, Pause 2 seconds* - The I/O CPU computer is waiting for data from the CNA, and the inputs and outputs are disabled. This condition indicates that since a power up, the I/O CPU has not received data from the CNA. The I/O is disabled and 39334 CPU will wait indefinitely for communications to be established.
- Condition 3: 2 Blinks On, Pause 2 seconds* - Communications Timeout, I/O is disabled. This condition indicates that communications were once established to the CNA and subsequently lost.

The following diagram shows the duration of the LED *off time* and LED *on time* for each condition.

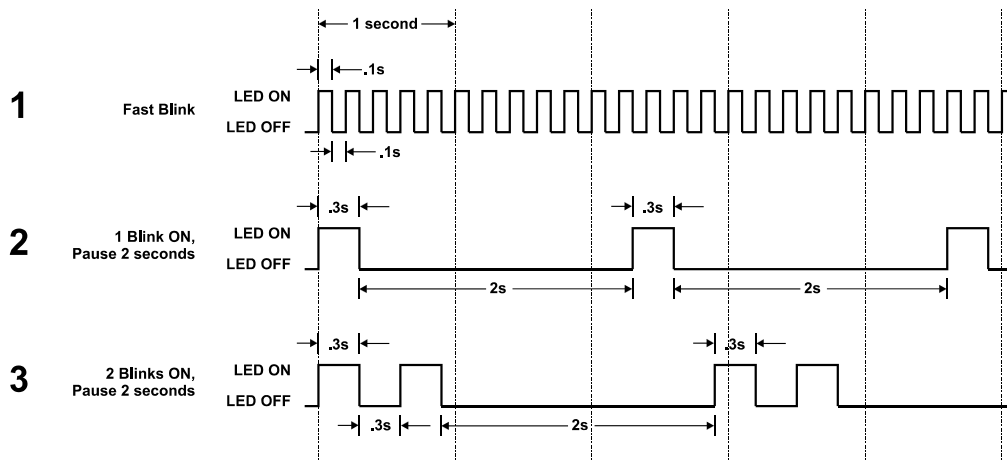


Figure 9

39334 Firmware:

- Version 1 Supports only the 39330 and 39331 termination boards
- Version 3 Supports the 39330, 39331 and 39332 termination boards
- Version 4 Supports the 39330, 39331, 39332 termination boards and the 39370 volume control board.

The version of firmware is printed on the 39334 CPU board micro controller. The Host software (LIN Status screen) will also report the 39334 version number and checksum.

Termination Schedule for the 39330 Termination Board:

TB1 These are the LIN connections. TB1-1 through TB1-5 are used to terminate the LIN wiring from the CNA Automation to the 39330 board and to any other LIN devices such as the RVC-10 and ACP-50.

TB1	DESCRIPTION	COMMENT
1	POWER (+18VDC)	
2	RETURN (+18VDC)	
3	SHIELD	
4	DATA-	
5	DATA+	

P1 LIN connector. Used for factory cable P/N 39347.

P1	DESCRIPTION	COMMENT
1	POWER (+18VDC)	
2	RETURN (+18VDC)	
3	SHIELD	
4	DATA-	
5	DATA+	

P7 LIN connector. Used for factory cable P/N 39347.

P7	DESCRIPTION	COMMENT
1	POWER (+18VDC)	
2	RETURN (+18VDC)	
3	SHIELD	
4	DATA-	
5	DATA+	

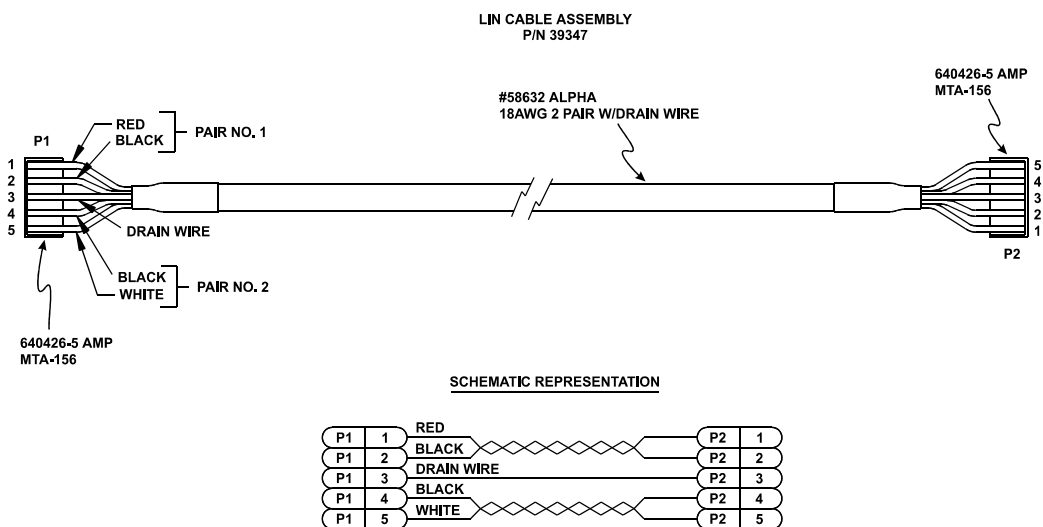


Figure 10

P2 Film failsafe and cue detector connector. Factory cable.

P2	DESCRIPTION	COMMENT
1	+12VDC RETURN	
2	+12VDC RETURN	
3	FILM PRESENCE	
4	CUE	
5	+12VDC FEED	
6	+12VDC RETURN	
7	FILM MOTION	
8	FILM TENSION	

TB2 These are high power connections. TB2-1 through TB2-7 are connected to the high power relay contacts. All relay contacts are 'dry' (no voltage) and require a feed voltage. TB2-8 through TB2-16 are reserved for factory wiring only and should not be used.

TB2	DESCRIPTION	COMMENT
1	XENON FEED	RELAY K1C-9
2	XENON	RELAY K1C-6
3	PROJECTOR FEED	RELAY K1B-7
4	PROJECTOR	RELAY K1B-4
5	CHANGEOVER CLOSE	RELAY K2B-7
6	CHANGEOVER FEED	RELAY K2B-4 AND K3B-4
7	CHANGEOVER OPEN	RELAY K3B-7
8	GROUND	FACTORY USE ONLY
9	PROJECTOR LINE	FACTORY USE ONLY
10	CHANGEOVER LINE	FACTORY USE ONLY
11	TURRET LINE	FACTORY USE ONLY
12	PROJECTOR NEUTRAL	FACTORY USE ONLY
13	CHANGEOVER NEUTRAL	FACTORY USE ONLY
14	TURRET NEUTRAL	FACTORY USE ONLY
15	FRAMING LAMP HI	FACTORY USE ONLY
16	FRAMING LAMP LO	FACTORY USE ONLY

K1, K2 and K3 contacts are rated for 10 Amps @ 250VAC and 10 Amps @ 30VDC. Both the projector and changeover outputs are protected with fuses. This protects the termination board as well as your equipment. The projector fuse (F1) is a 10 amp (3AG Slo-Blo Littelfuse #326010) and the changeover fuse (F3) is a 3 amp (3AG Slo-Blo Littelfuse #313003).

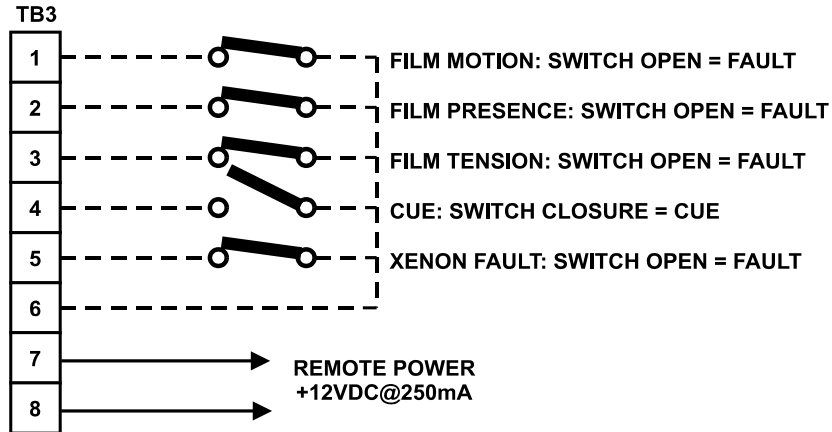
The projector, changeover and slide projector outputs have an RC network across their contacts. The purpose of the RC network is to protect the relay contacts. The capacitor C acts to suppress the discharge the moment the contacts open. Resistor R acts to limit the current when the power is turned on the next time. If the impedance of the load is not sufficiently smaller than the impedance of the RC circuit it may continue to operate even when the contacts are open. This is not a problem with the projector motor or changeover solenoid, but may be with the slide projector. If it is a problem, it will be necessary to remove R12 from the termination board. *Caution: There is enough leakage current through the RC circuit to present a potential electrical hazard to the installer, never work with the equipment "live" unless proper precautions are taken.*

Note: Currently produced units will not have R12 populated thus eliminating the potential need for modification. .

TB3 These are the failsafe inputs, lens and slide projector outputs. TB3-1 through TB3-8 are dedicated to failsafe operation. TB3-9 through TB3-12 are low power dry relay contacts, TB3-13 and TB3-14 are high power dry relay contacts, and TB3-15 and TB3-16 are a tie point for the LSN.

TB3	DESCRIPTION	COMMENT
1	FILM MOTION	THIS INPUT IS USED WITH A FILM MOTION DEVICE. IF THIS INPUT IS NOT USED, JUMPER W5 MUST BE IN THE BYPASS POSITION.
2	FILM PRESENCE	
3	FILM TENSION	IF THIS INPUT IS NOT USED, JUMPER W6 MUST BE IN THE BYPASS POSITION.
4	CUE	
5	XENON FAULT	IF THIS INPUT IS NOT USED, JUMPER W7 MUST BE IN THE BYPASS POSITION.
6	INPUT RETURN	CURRENT RETURN PATH FOR ALL INPUTS.
7	+12VDC FEED	FUSED AT 1/4 AMPS. (F2)
8	+12VDC RETURN	

TB3-7 and TB3-8 are used to power the film failsafe and cue detector. This power supply is fused at 1/4 amps. (Fuse F3 Littelfuse #312.250).



LENS:

TB3	DESCRIPTION	COMMENT
9	LENS FLAT	RELAY K4B-4
10	LENS SCOPE	RELAY K5B-4
11	LENS SPECIAL	RELAY K6B-4
12	LENS FEED	RELAY K4B-8, K5B-8, K6B-8

SLIDE PROJECTOR :

TB3	DESCRIPTION	COMMENT
13	SLIDE PROJECTOR	RELAY K7B-4
14	SLIDE PROJECTOR FEED	RELAY

K7 contacts are rated for 10 Amps @ 250VAC and 10 Amps @ 30VDC.

LSN:

TB3	DESCRIPTION	COMMENT
16	DATA+	
17	DATA-	
18	SHIELD	

This is a convenient tie point only. The Termination panels do not require the LSN for operation.

P6 LSN connector. Used for factory cable P/N 39348.

P6	DESCRIPTION
1	DATA+
2	DATA-
3	SHIELD

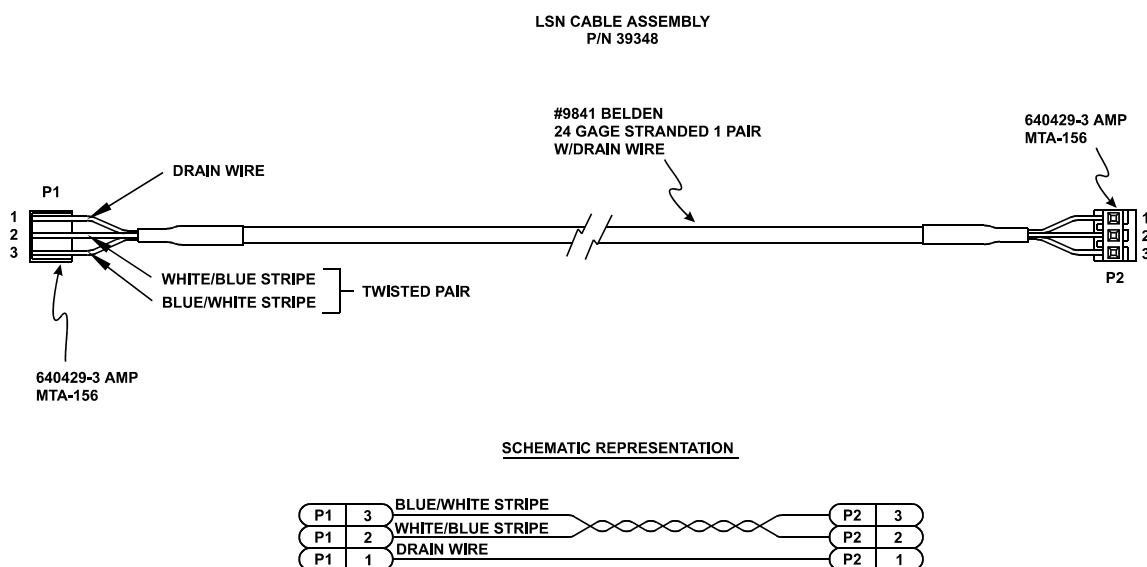
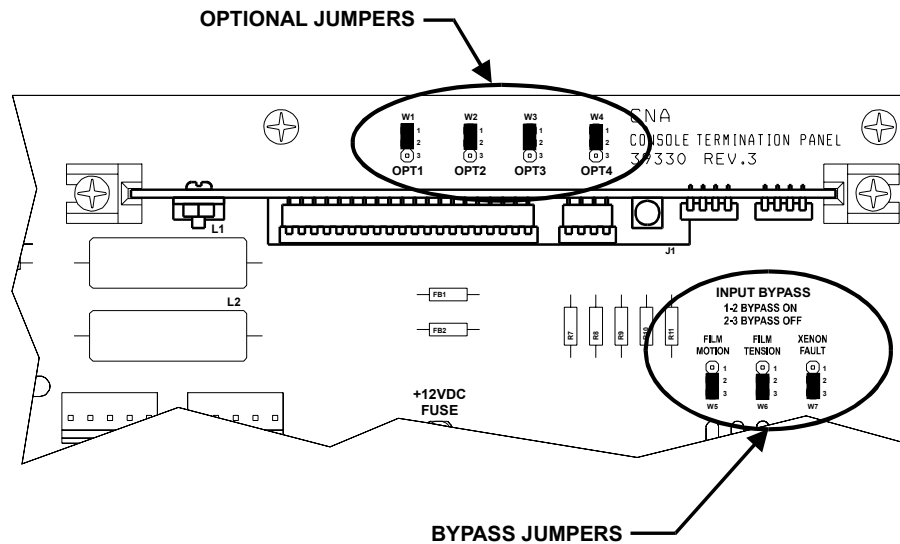


Figure 11

W1 - W7 are optional and bypass jumpers for the 39330 termination panel. If necessary, move the jumpers to the appropriate positions.

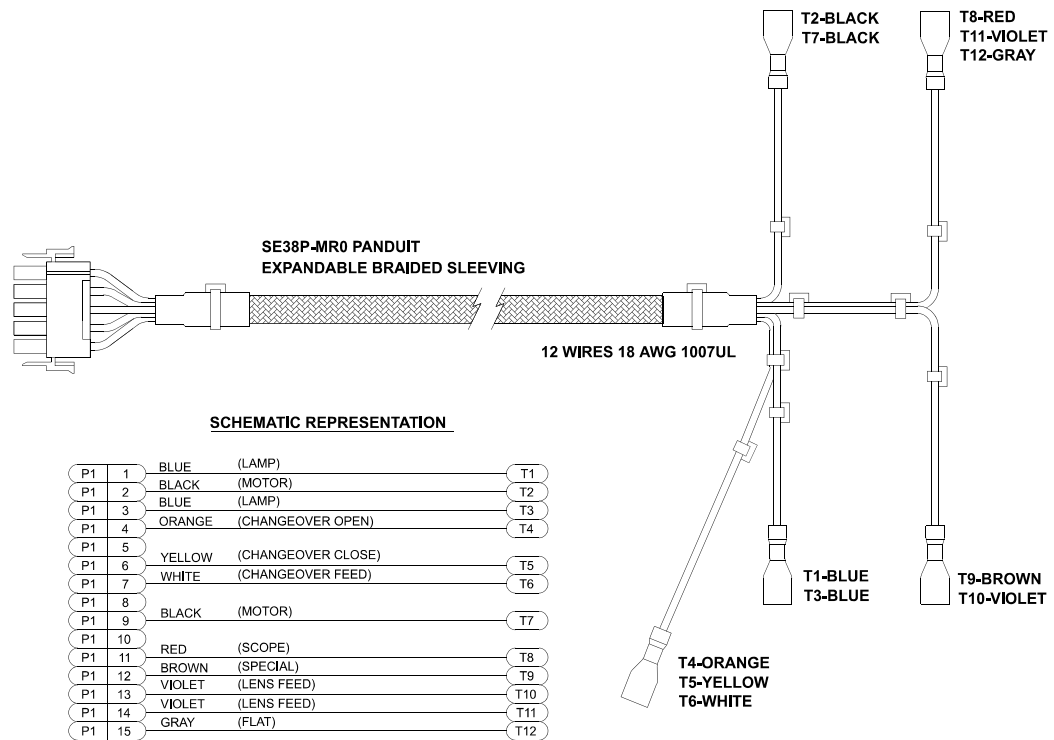
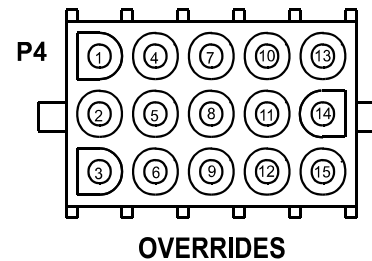
JUMPER	DESCRIPTION	COMMENT
W1	OPT 1	<input type="checkbox"/> 1-2 CONSOLE TERMINATION PANEL #1 <input type="checkbox"/> 2-3 CONSOLE TERMINATION PANEL #2
W2	OPT 2	<input type="checkbox"/> 1-2 UNDEFINED <input type="checkbox"/> 2-3 UNDEFINED
W3	OPT 3	<input type="checkbox"/> 1-2 UNDEFINED <input type="checkbox"/> 2-3 UNDEFINED
W4	OPT 4	<input type="checkbox"/> 1-2 UNDEFINED <input type="checkbox"/> 2-3 UNDEFINED
W5	FILM MOTION	<input type="checkbox"/> 1-2 BYPASS ON (NOT USING INPUT) <input type="checkbox"/> 2-3 BYPASS OFF
W6	FILM TENSION	<input type="checkbox"/> 1-2 BYPASS ON (NOT USING INPUT) <input type="checkbox"/> 2-3 BYPASS OFF
W7	XENON FAULT	<input type="checkbox"/> 1-2 BYPASS ON (NOT USING INPUT) <input type="checkbox"/> 2-3 BYPASS OFF



39330 Jumper Settings
Figure 12

P4 Manual Controls: Xenon, Projector, Changeover and Lens. The console override cable 39349 plugs into P4.

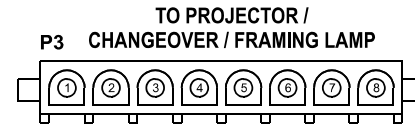
P4	DESCRIPTION
1	XENON FEED
2	PROJECTOR FEED
3	XENON
4	CHANGEOVER
5	N/C
6	CHANGEOVER CLOSE
7	CHANGEOVER FEED
8	N/C
9	PROJECTOR
10	N/C
11	LENS SCOPE
12	LENS SPECIAL
13	LENS FEED
14	LENS FEED
15	LENS FLAT



Console Override Cable assembly. P/N 39349.
Figure 13

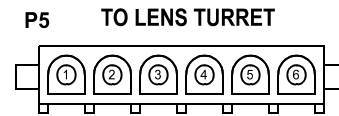
P3 To projector motor, changeover and framing lamp.

P3	DESCRIPTION
1	FRAMING LAMP LO
2	FRAMING LAMP HI
3	GROUND
4	PROJECTOR NEUTRAL
5	CHANGEOVER NEUTRAL
6	CHANGEOVER OPEN
7	CHANGEOVER CLOSE
8	PROJECTOR

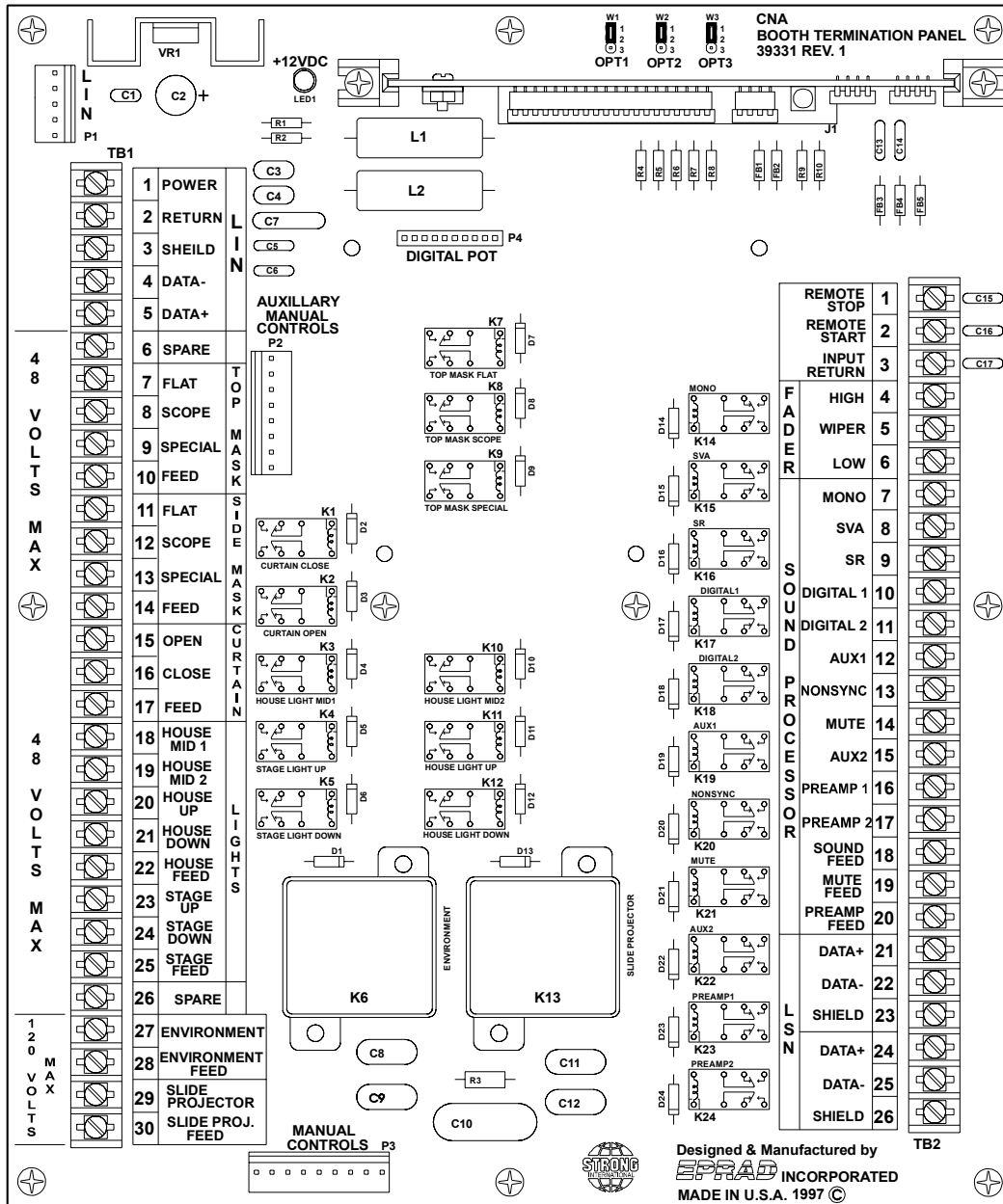


P5 To lens turret.

P5	DESCRIPTION
1	TURRET LINE
2	TURRET NEUTRAL
3	SPECIAL
4	FLAT
5	SCOPE
6	LENS FEED



Booth Termination Board



39331 Rev. 1 Booth Termination Panel
Figure 14

This is a functional block diagram of the 39331 Rev. 1 termination panel. All relevant signal paths are shown.

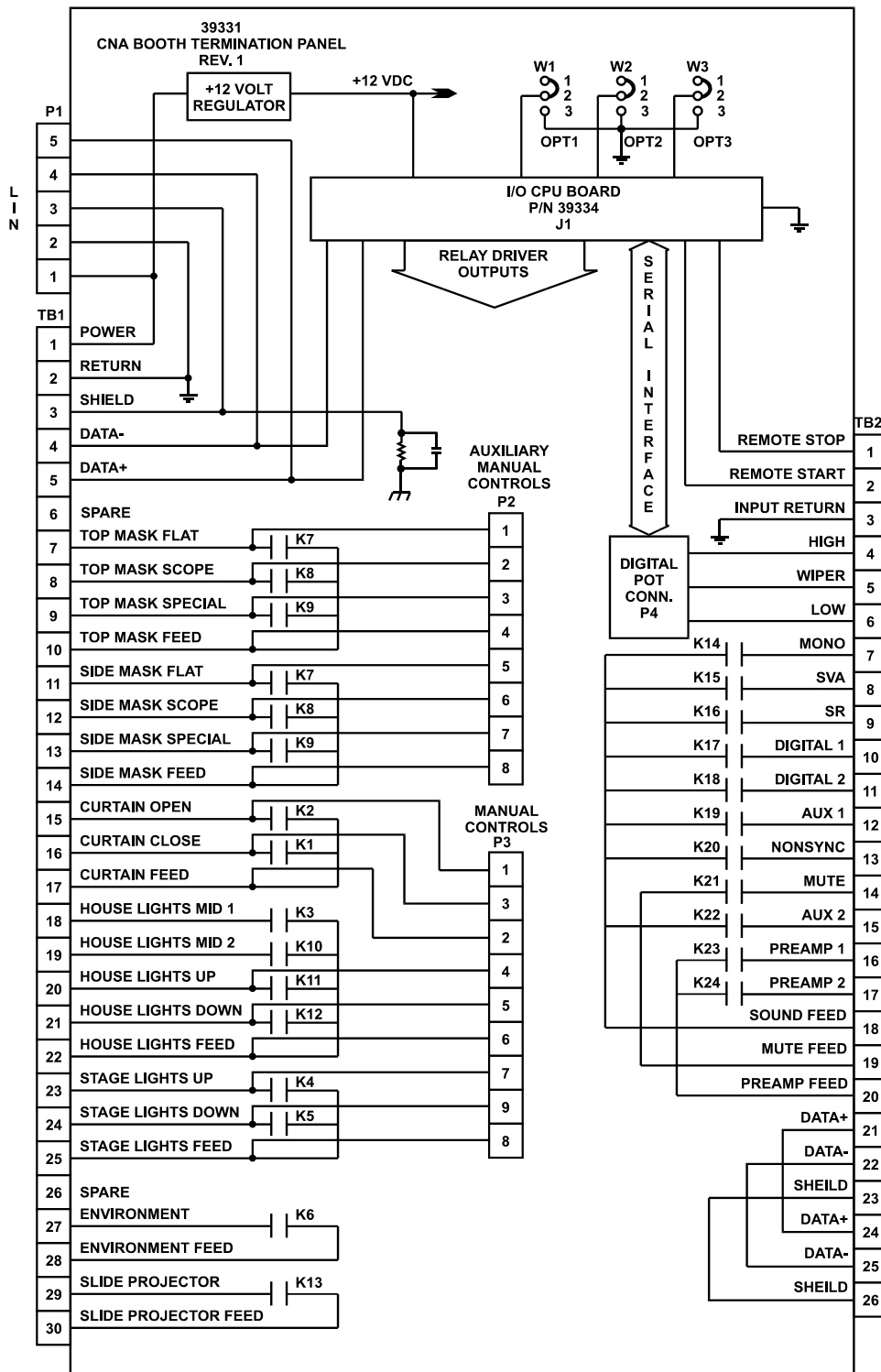


Figure 15

Termination Schedule for the 39331 Rev. 1 Termination Board:

TB1 These are the connections for the LSN, LIN, masking, curtains, lights and slide projector.

TB1-1 through TB1-5 are used to terminate the LIN wiring *from* the CNA Automation to the 39331 board and to any other LIN devices such as the RVC-10 and ACP-50.

The contact ratings for K1 - K5 and K6 - K12 are: 2 amps@15VDC or 30VAC, 1 amp@30VDC or 48VAC, .5 amps@48VDC. The contact ratings for K6 and K13 are: 1/3HP@120VAC, 10 amps@120VAC, 10 amps@28VDC.

TB1	DESCRIPTION	COMMENT
1	POWER (+18VDC)	
2	RETURN (+18VDC)	
3	SHIELD	
4	DATA-	
5	DATA+	
6	SPARE	
7	TOP MASK FLAT	RELAY K7B-4
8	TOP MASK SCOPE	RELAY K8B-4
9	TOP MASK SPECIAL	RELAY K9B-4
10	TOP MASK FEED	RELAY K7B-8, K8B-8, K9B-8
11	SIDE MASK FLAT	RELAY K7C-13
12	SIDE MASK SCOPE	RELAY K8C-13
13	SIDE MASK SPECIAL	RELAY K9C-13
14	SIDE MASK FEED	RELAY K7C-9, K8C-9, K9C-9
15	CURTAIN OPEN	RELAY K2B-4
16	CURTAIN CLOSE	RELAY K1C-9
17	CURTAIN FEED	RELAY K2B-8, K1C-13
18	HOUSE LIGHTS MID 1	RELAY K3C-13
19	HOUSE LIGHTS MID 2	RELAY K10C-13
20	HOUSE LIGHTS UP	RELAY K11C-13
21	HOUSE LIGHTS DOWN	RELAY K12B-4
22	HOUSE LIGHTS FEED	RELAY K3C-9, K10C-9, K11C-9, K12B-8
23	STAGE LIGHTS UP	RELAY K4C-9
24	STAGE LIGHTS DOWN	RELAY K5B-4
25	STAGE LIGHTS FEED	RELAY K4C-13, K5B-8
26	SPARE	
27	ENVIRONMENT	RELAY K6B-4
28	ENVIRONMENT FEED	RELAY K6B-7
29	SLIDE PROJECTOR	RELAY K13B-4
30	SLIDE PROJECTOR FEED	RELAY K13B-7

TB2 These are the connections for remote inputs, sound and LSN. All relay contacts are 'dry' (no voltage) and require a feed voltage.

The contact ratings for K14 - K24 are: 2 amps@15VDC or 30VAC, 1 amp@30VDC or 48VAC, .5 amps@48VDC.

TB2	DESCRIPTION	COMMENT
1	REMOTE STOP/FIRE STOP	CONFIGURED AT CNA MAIN BOARD. FIRE STOP OPTION.
2	REMOTE START	
3	INPUT RETURN	CURRENT RETURN PATH FOR BOTH INPUTS.
4	FADER - HIGH	OBSOLETE - DON'T USE
5	FADER - WIPER	OBSOLETE - DON'T USE
6	FADER - LOW	OBSOLETE - DON'T USE
7	SOUND - MONO	RELAY K14
8	SOUND - SVA	RELAY K15
9	SOUND - SR	RELAY K16
10	SOUND - DIGITAL 1	RELAY K17
11	SOUND - DIGITAL 2	RELAY K18
12	SOUND - AUX 1	RELAY K19
13	SOUND - NON-SYNC	RELAY K20
14	SOUND - MUTE	RELAY K21
15	SOUND - AUX 2	RELAY K22
16	SOUND - PREAMP 1	RELAY K23
17	SOUND - PREAMP 2	RELAY K24
18	SOUND - SOUND FEED	RELAY
19	SOUND - MUTE FEED	RELAY
20	SOUND - PREAMP FEED	RELAY
21	LSN - DATA+	TIE POINT ONLY - NOT REQUIRED
22	LSN - DATA-	TIE POINT ONLY - NOT REQUIRED
23	LSN - SHIELD	TIE POINT ONLY - NOT REQUIRED
24	LSN - DATA+	TIE POINT ONLY - NOT REQUIRED
25	LSN - DATA-	TIE POINT ONLY - NOT REQUIRED
26	LSN - SHIELD	TIE POINT ONLY - NOT REQUIRED

REMOTE STOP/FIRE STOP OPTION:

TB2-1: Remote Stop: Remote Stop becomes a Fire Stop input when that option is enabled at the CNA Automation (See DIP SWITCH SETTINGS). Fire Stop is activated when it is shorted to the Input Return terminal.

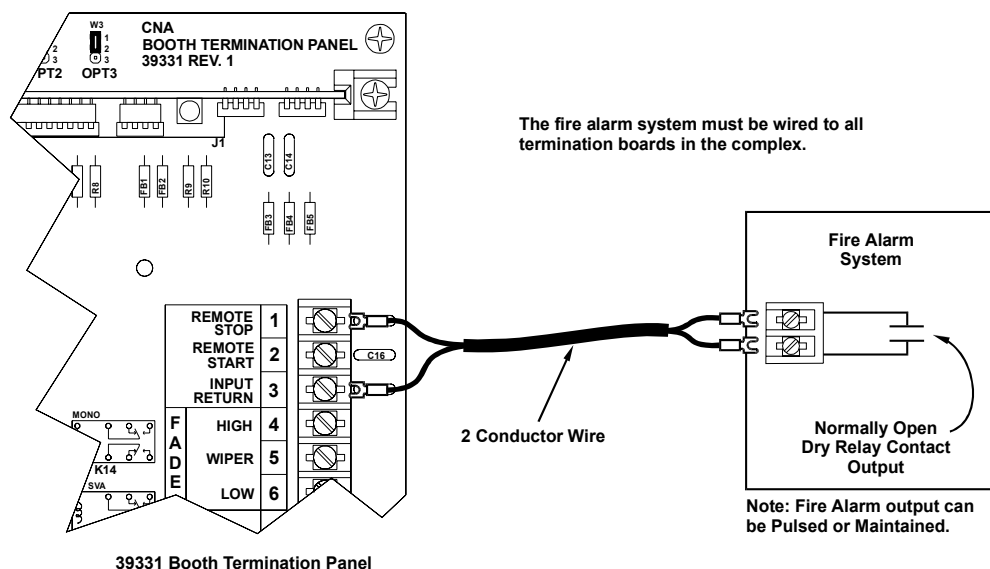
TB2-1	CONFIGURATION
REMOTE STOP	S2-4 = OFF (ON 39325/ 39425 MAIN BOARD)
FIRE STOP	S2-4 = ON (ON 39325/ 39425 MAIN BOARD)

Remote Stop: This is used to manually stop a show from a remote location. Momentarily shorting TB2-1 to Input Return TB2-3 will activate the show stop logic turning off the projector, xenon lamp and other programmed outputs. Remote Stop functions just like the local stop on the CNA front panel.

Fire Stop: This functions very much like a Remote Stop with the following exceptions:

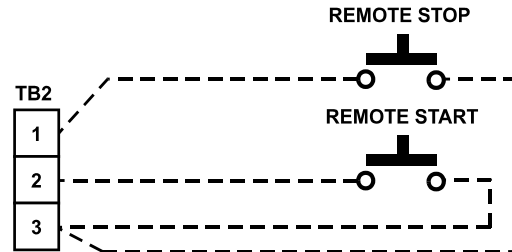
- The sound is muted.
- The slide projector relay on the 39330 *Console Termination* board is turned off (or held off).
- The K13 relay on the *Booth Termination* board is turned on.

When Fire Stop is enabled, the slide projector relay (K13) on the Booth is a Fire Stop output. The slide projector must be wired to the Console Termination board.



39331 Fire Stop Wiring
Figure 16

Note: Not all software versions support the Fire Stop option. See Main Board DIP switch settings.

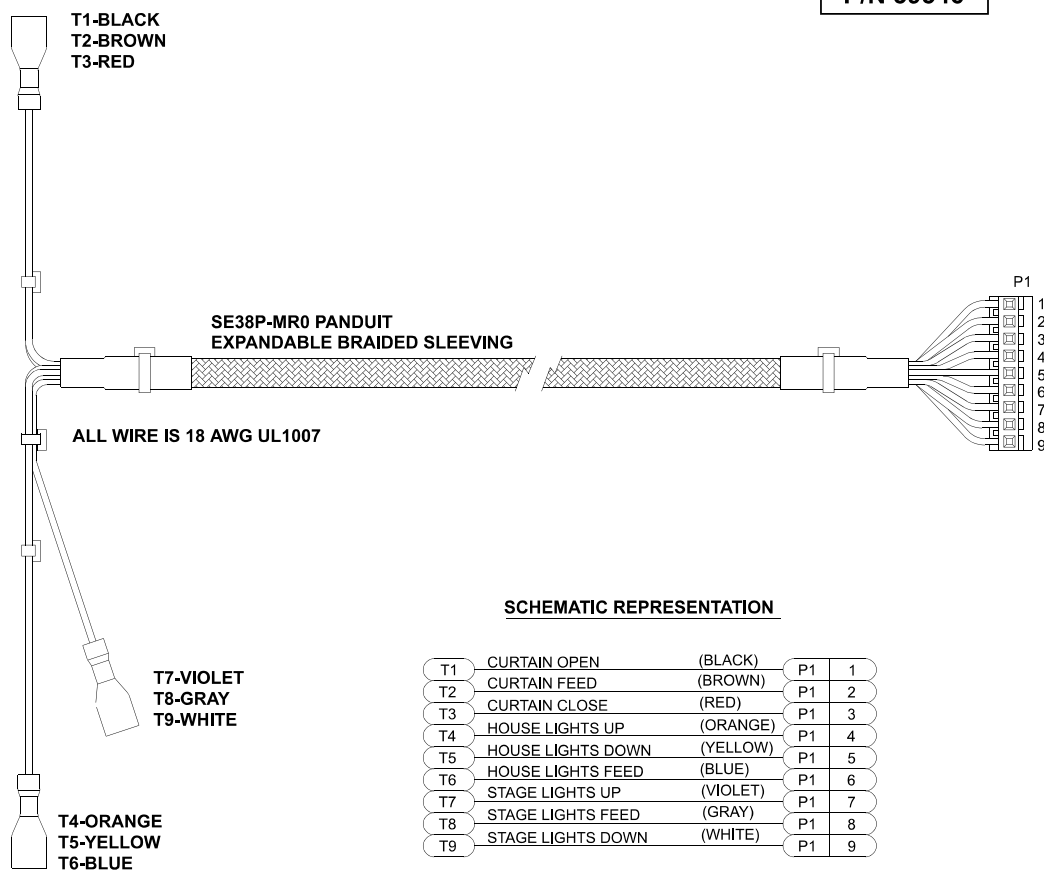
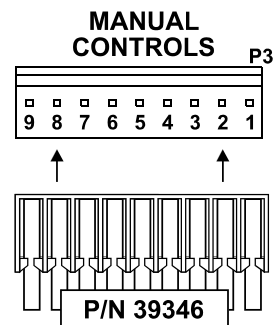


TB2-21 through TB2-26 are used to terminate the LSN wiring from the CNA Automation. These are used as a tie point for the network connection to other CNA Automations. This is a courtesy tie point only provided for the installer's convenience. The Termination panels do not require the LSN for operation.

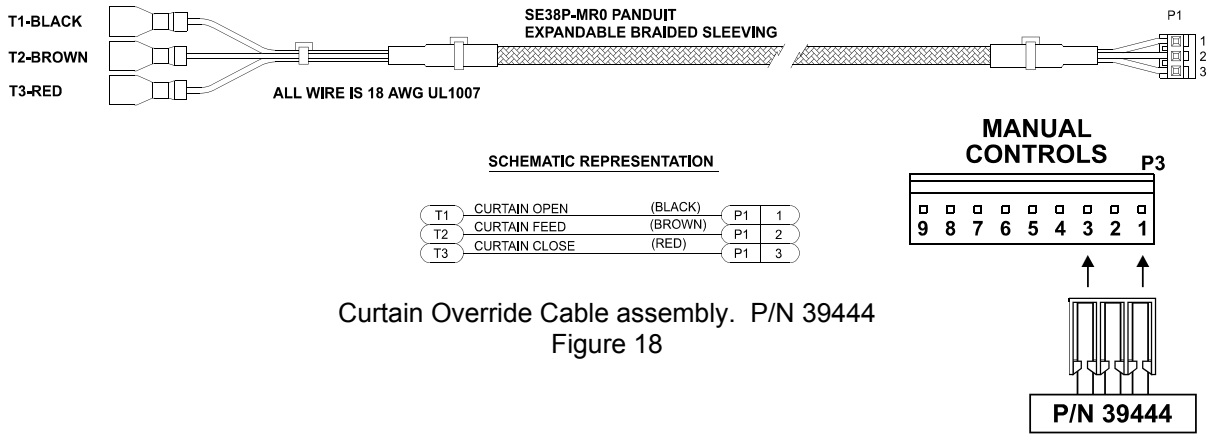
Manual control connectors:

P3 Manual Controls: Curtain and Lights. (Use 39346 or 39444 cable assembly.)

P3	DESCRIPTION
1	CURTAIN OPEN
2	CURTAIN FEED
3	CURTAIN CLOSE
4	HOUSE LIGHTS UP
5	HOUSE LIGHTS DOWN
6	HOUSE LIGHTS FEED
7	STAGE LIGHTS UP
8	STAGE LIGHTS FEED
9	STAGE LIGHTS DOWN

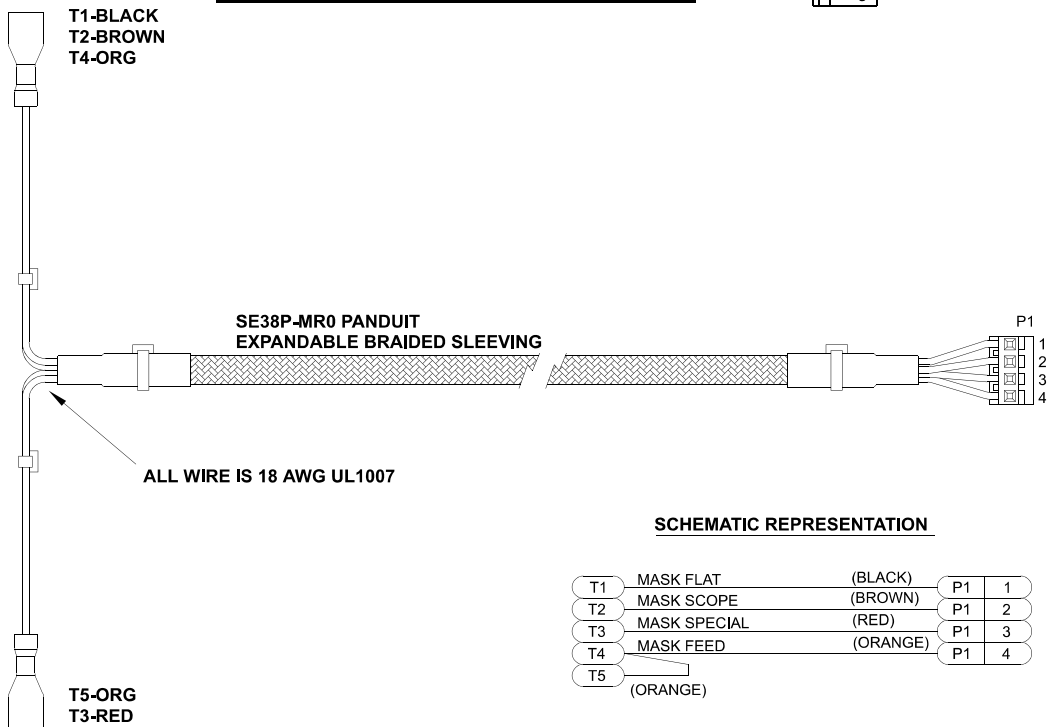
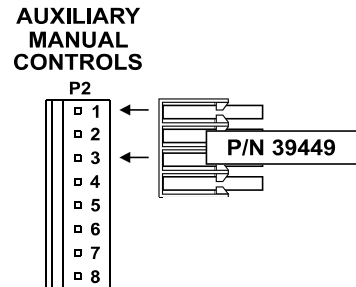


Booth Override Cable assembly. P/N 39346.
Figure 17



P2 Auxiliary Manual Controls: Masking. (Use 39449 cable assembly if panel is not mounted in BTC-10 cabinet.)

P2	DESCRIPTION
1	TOP MASK FLAT
2	TOP MASK SCOPE
	TOP MASK SPECIAL
4	TOP MASK FEED
5	SIDE MASK FLAT
6	SIDE MASK SCOPE
7	SIDE MASK SPECIAL
8	SIDE MASK FEED



Masking Override Cable assembly. P/N 39449.
Figure 19

Optional jumpers for the 39331 Termination Panel:

JUMPER	DESCRIPTION	COMMENT
W1	OPT 1	1-2 UNDEFINED 2-3 UNDEFINED
W2	OPT 2	1-2 UNDEFINED 2-3 UNDEFINED
W3	OPT 3	1-2 UNDEFINED 2-3 UNDEFINED

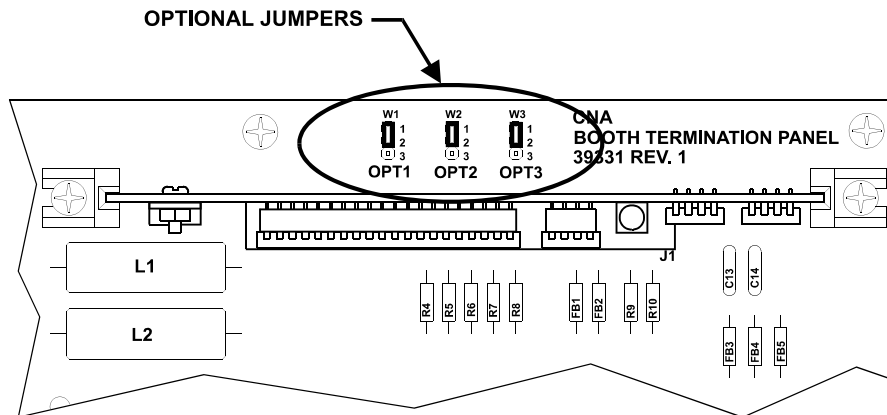
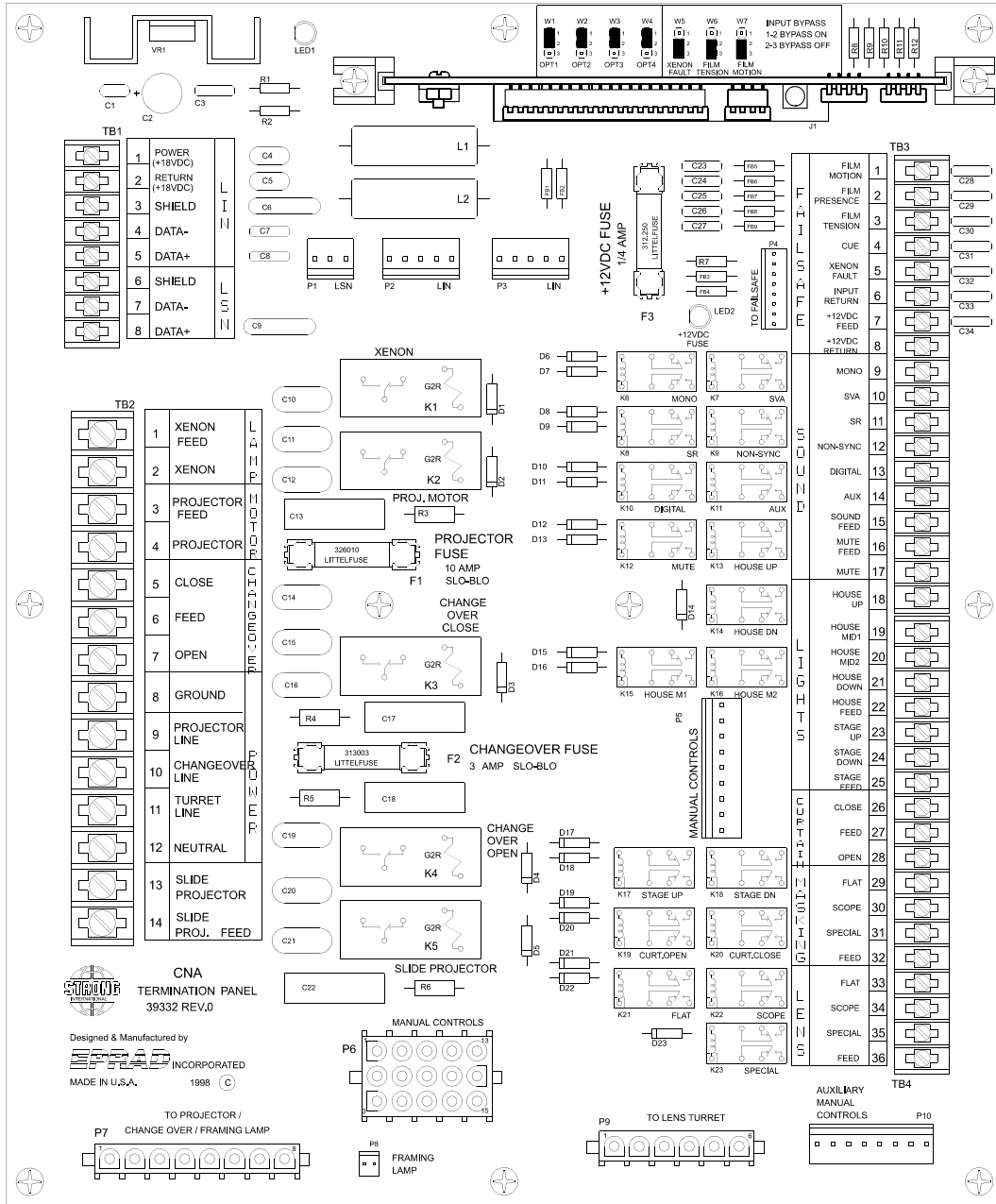


Figure 20

Single Termination Board

The 39332 'Single Termination' board combines many of the functions of the 39330 and 39331 boards. If the 39332 board is used, the 39330 and 39331 boards are not. The 39334 I/O CPU board plugs into the J1 connector.



39332 Rev. 1 Single termination panel.
Figure 21

This is a functional block diagram of the 39332 termination panel. All relevant signal paths are shown.

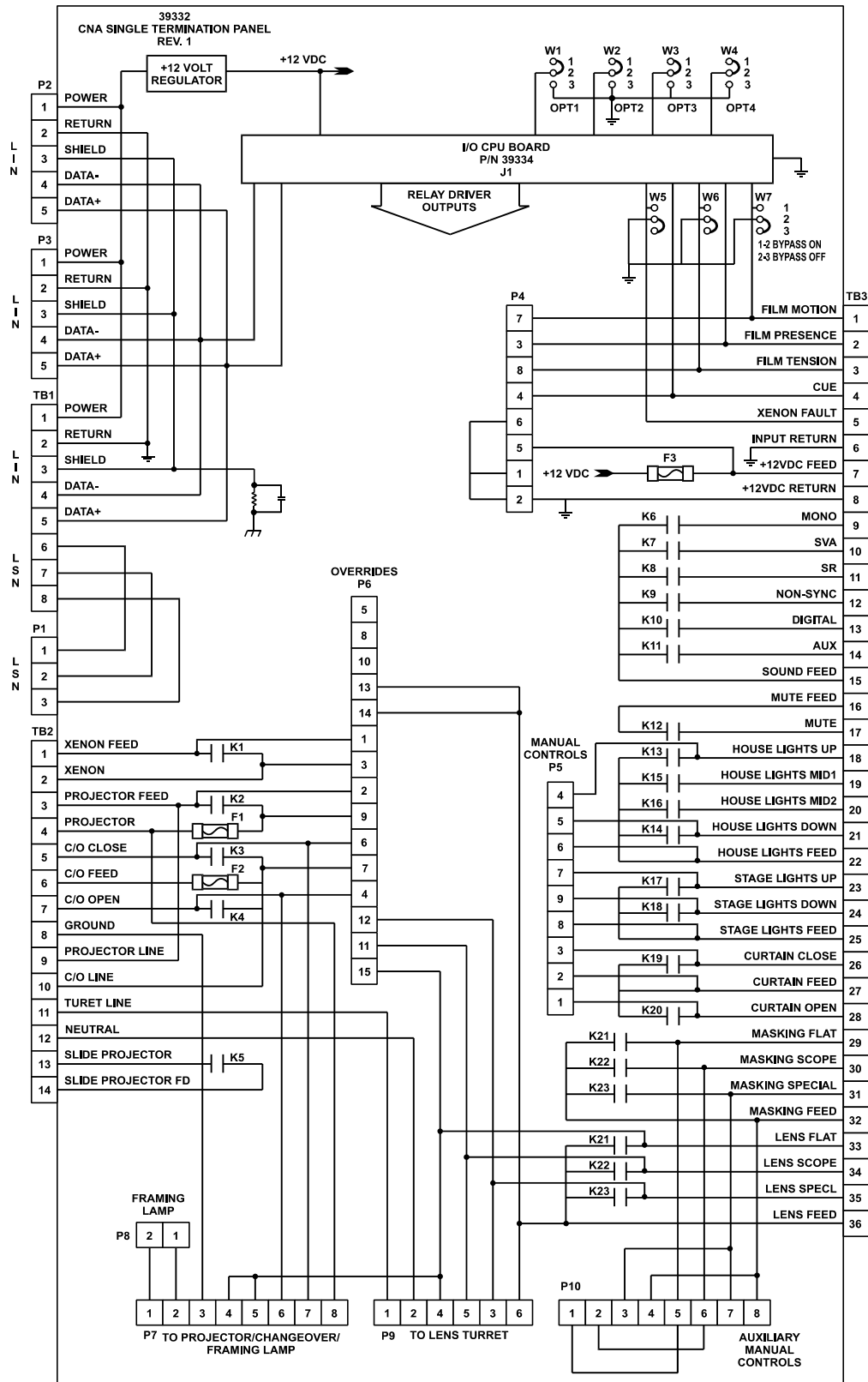


Figure 22

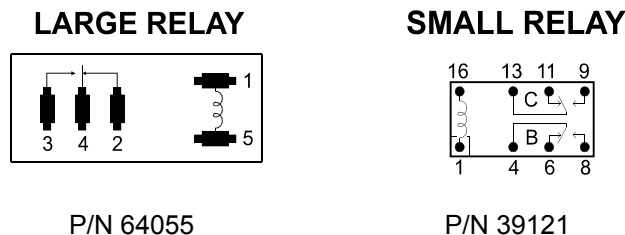


Figure 23

Termination Schedule for the 39332 Termination Board:

TB1 These are the LSN and LIN connections. TB1-1 through TB1-5 are used to terminate the LIN wiring *from* the CNA Automation to the 39332 board and to any other LIN devices such as the RVC-10 and ACP-50. TB1-6 through TB1-8 are used to terminate the LSN wiring from the CNA Automation. These are used as a tie point for the network connection to other CNA Automations.

TB1	DESCRIPTION
1	LIN - POWER (+18VDC)
2	LIN - RETURN (+18VDC)
3	LIN - SHIELD
4	LIN - DATA-
5	LIN - DATA+
6	LSN - SHIELD
7	LSN - DATA-
8	LSN - DATA+

TB2 These are the high power connections. TB2-1 through TB2-7 and TB2-13 and TB2-14 are connected to the high power relay contacts. All relay contacts are ‘dry’ (no voltage) and require a feed voltage. TB2-8 through TB2-12 are special and are for factory wiring only.

TB2	DESCRIPTION	COMMENT
1	XENON FEED	RELAY K1-3
2	XENON	RELAY K1-4
3	PROJECTOR FEED	RELAY K2-3
4	PROJECTOR	RELAY K2-4
5	CHANGEOVER CLOSE	RELAY K3-3
6	CHANGEOVER FEED	RELAY K3-4, K4-3
7	CHANGEOVER OPEN	RELAY K4-4
8	GROUND	FACTORY USE ONLY
9	PROJECTOR LINE	FACTORY USE ONLY
10	CHANGEOVER LINE	FACTORY USE ONLY
11	TURRET LINE	FACTORY USE ONLY
12	NEUTRAL	FACTORY USE ONLY
13	SLIDE PROJECTOR	RELAY K5-4
14	SLIDE PROJECTOR FEED	RELAY K5-3

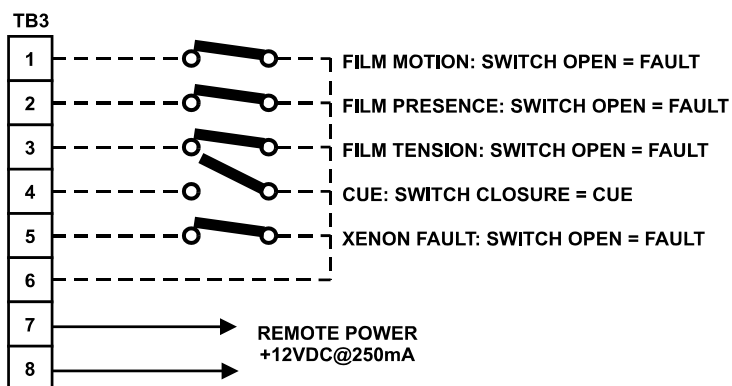
K1, K2, K3, K4 and K5 contacts are rated for 10 Amps @ 250VAC and 10 Amps @ 30VDC. Both the projector and changeover outputs are protected with fuses. This protects the termination board as well as your equipment. The projector fuse (F1) is a 10 amp (3AG Slo-Blo Littelfuse #326010) and the changeover fuse (F2) is a 3 amp (3AG Slo-Blo Littelfuse #313003).

The projector, changeover and slide projector outputs have an RC network across their contacts. The purpose of the RC network is to protect the relay contacts. The capacitor C acts to suppress the discharge the moment the contacts open. Resistor R acts to limit the current when the power is turned on the next time. If the impedance of the load is not sufficiently smaller than the impedance of the RC circuit it may continue to operate even when the contacts are open. This is not a problem with the projector motor or changeover solenoid, but may be with the slide projector. If it is a problem, it will be necessary to remove R6 from the termination board. *Caution: There is enough leakage current through the RC circuit to present a potential electrical hazard to the installer, never work with the equipment "live" unless proper precautions are taken.*

Note: Currently produced units do not have R6 populated thus eliminating the need for modification.

TB3 These are the failsafe inputs and low power outputs for sound, lights, curtains, masking and lens. TB3-1 through TB3-8 are dedicated to failsafe operation. TB3-9 through TB3-36 are all low power dry relay contacts.

TB3	DESCRIPTION	COMMENT
1	FILM MOTION	THIS INPUT IS USED WITH A FILM MOTION DEVICE. IF THIS INPUT IS NOT USED, JUMPER W7 MUST BE IN THE BYPASS POSITION.
2	FILM PRESENCE	
3	FILM TENSION or REMOTE STOP or FIRE STOP	THIS IS A FILM TENSION INPUT WHEN JUMPER W1 IS ACROSS PINS 1 AND 2 AND A REMOTE STOP INPUT WHEN JUMPER W1 IS ACROSS PINS 2 AND 3. REMOTE STOP BECOMES A FIRE STOP WHEN CONFIGURED AT THE CNA MAIN BOARD. IF THIS INPUT IS NOT USED, JUMPER W6 MUST BE IN THE BYPASS POSITION.
4	CUE	
5	XENON FAULT	IF THIS INPUT IS NOT USED, JUMPER W5 MUST BE IN THE BYPASS POSITION.
6	INPUT RETURN	CURRENT RETURN PATH FOR ALL INPUTS.
7	+12VDC FEED	FUSED AT 1/4 AMPS. (F3)
8	+12VDC RETURN	



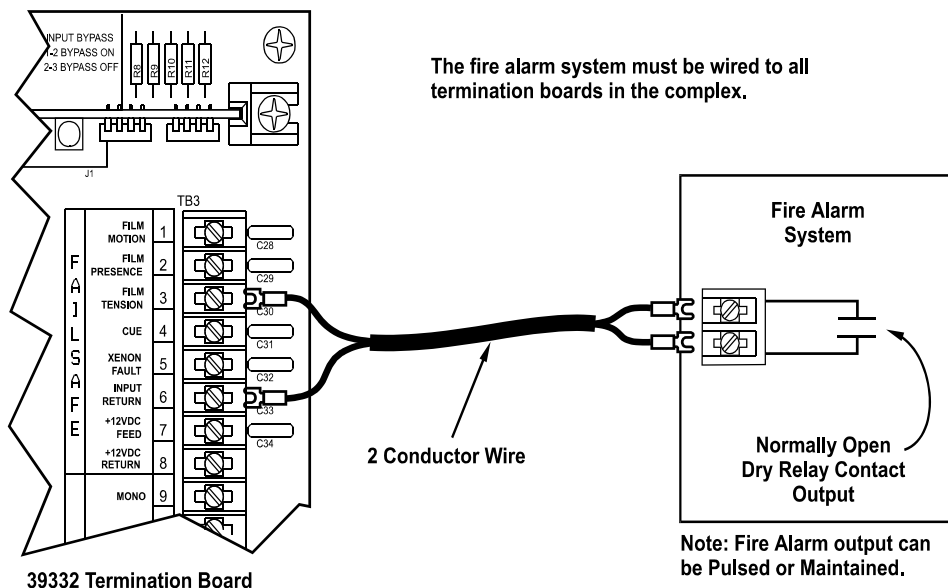
Fire Stop Option

Terminal TB3-3 is labeled as a Film Tension input, but can be configured to perform 3 different functions: Film Tension, Remote Stop or Fire Stop. The table below describes how to configure this input.

TB3-3	CONFIGURATION
FILM TENSION	W1: 1-2 (ON 39332 TERMINATION BOARD) S2-4 = OFF (ON 39325/ 39425 MAIN BOARD)
REMOTE STOP	W1: 2-3 (ON 39332 TERMINATION BOARD) S2-4 = OFF (ON 39325/ 39425 MAIN BOARD)
FIRE STOP	W1: 2-3 (ON 39332 TERMINATION BOARD) S2-4 = ON (ON 39325/ 39425 MAIN BOARD)

Film Tension: Internally this is the same as Film Presence. The film tension device containing a normally open contact (switch, relay, etc.) is connected between TB3-3 and Input Return TB3-6. The contact must be closed (shorted) to start the automation. An open contact will fault the automation. Just as with the Film Presence fault, a Tension fault is delayed by the “Failsafe Delay” time programmed in Supervisory.

Remote Stop: This is used to manually stop a show from a remote location. Momentarily shorting TB3-3 to Input Return TB3-6 will activated the show stop logic turning off the projector, xenon lamp and other programmed outputs. Remote Stop functions just like the local stop on the CNA front panel.



Fire Stop Input Wiring
Figure 24

Fire Stop: This functions very much like a Remote Stop with the following exceptions: The sound is muted and the slide projector is turned off (or held off).
Note: Not all software versions support the Fire Stop option. See Main Board DIP switch settings.

TB3-7 and TB3-8 are used to power the film failsafe and cue detector. This power supply is fused at 1/4 amps. (Fuse F3 Littelfuse #312.250).

SOUND:

TB3	DESCRIPTION	COMMENT
9	SOUND - MONO	RELAY K6-8
10	SOUND - SVA	RELAY K7-8
11	SOUND - SR	RELAY K8-8
12	SOUND - NON-SYNC	RELAY K9-8
13	SOUND - DIGITAL	RELAY K10-8
14	SOUND - AUX	RELAY K11-8
15	SOUND - SOUND FEED	RELAY K6-4, K7-4, K8-4, K9-4, K10-4, K11-4
16	SOUND - MUTE FEED	RELAY K12-8
17	SOUND - MUTE	RELAY K12-4

LIGHTS:

TB3	DESCRIPTION	COMMENT
18	LIGHTS - HOUSE UP	RELAY K13-8
19	LIGHTS - HOUSE MID 1	RELAY K15-8
20	LIGHTS - HOUSE MID 2	RELAY K16-8
21	LIGHTS - HOUSE DOWN	RELAY K14-8
22	LIGHTS - HOUSE FEED	RELAY K13-4, K14-4, K15-4, K16-4
23	LIGHTS - STAGE UP	RELAY K17-8
24	LIGHTS - STAGE DOWN	RELAY K18-8
25	LIGHTS - STAGE FEED	RELAY K17-4, K18-4

CURTAIN:

TB3	DESCRIPTION	COMMENT
26	CURTAIN CLOSE	RELAY K20-8
27	CURTAIN FEED	RELAY K19-4, K20-4
28	CURTAIN OPEN	RELAY K19-8

MASKING:

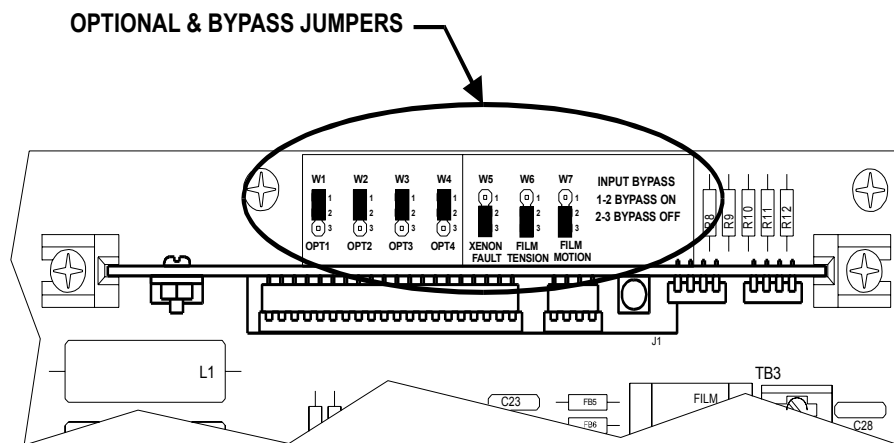
TB3	DESCRIPTION	COMMENT
29	MASKING FLAT	RELAY K21-9
30	MASKING SCOPE	RELAY K22-9
31	MASKING SPECIAL	RELAY K23-9
32	MASKING FEED	RELAY K21-13, K22-13, K23-13

LENS:

TB3	DESCRIPTION	COMMENT
33	LENS FLAT	RELAY K21-8
34	LENS SCOPE	RELAY K22-8
35	LENS SPECIAL	RELAY K23-8
36	LENS FEED	RELAY K21-4, K22-4, K23-4

These are the *optional* and *bypass* jumpers for the 39332 Termination Board. If necessary, move the jumpers to the appropriate positions.

JUMPER	DESCRIPTION	COMMENT
W1	OPT 1	<input type="checkbox"/> 1-2 TB3-3 IS A FILM TENSION INPUT <input type="checkbox"/> 2-3 TB3-3 IS A REMOTE STOP INPUT
W2	OPT 2	<input type="checkbox"/> 1-2 UNDEFINED <input type="checkbox"/> 2-3 UNDEFINED
W3	OPT 3	<input type="checkbox"/> 1-2 UNDEFINED <input type="checkbox"/> 2-3 UNDEFINED
W4	OPT 4	<input type="checkbox"/> 1-2 UNDEFINED <input type="checkbox"/> 2-3 UNDEFINED
W5	XENON FAULT	<input type="checkbox"/> 1-2 BYPASS ON (NOT USING INPUT) <input type="checkbox"/> 2-3 BYPASS OFF
W6	FILM TENSION	<input type="checkbox"/> 1-2 BYPASS ON (NOT USING INPUT) <input type="checkbox"/> 2-3 BYPASS OFF
W7	FILM MOTION	<input type="checkbox"/> 1-2 BYPASS ON (NOT USING INPUT) <input type="checkbox"/> 2-3 BYPASS OFF

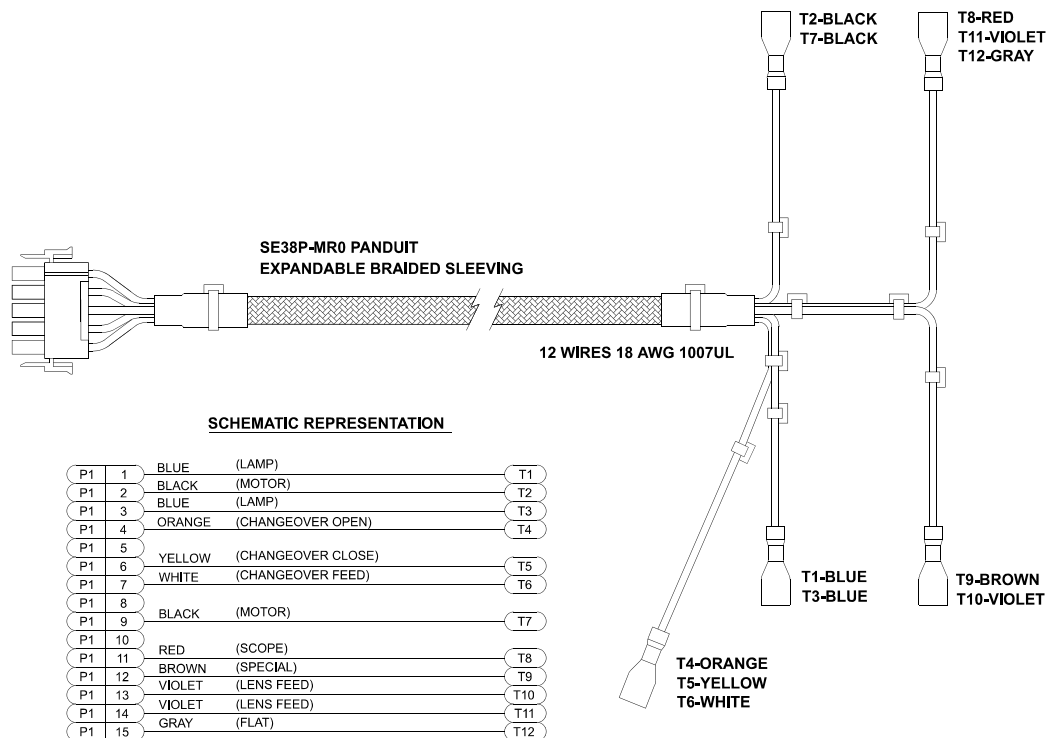
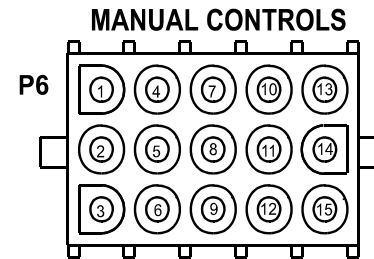


39332 Jumper Settings
Figure 25

There are three connectors on the 39332 panel for the manual control cables:

P6 Manual Controls: Xenon, Projector, Changeover and Lens. The override cable 39349 plugs into P6.

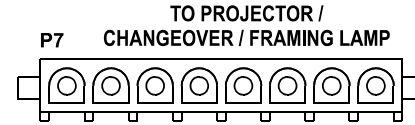
P6	DESCRIPTION
1	XENON FEED
2	PROJECTOR FEED
3	XENON
4	CHANGEOVER
5	N/C
6	CHANGEOVER CLOSE
7	CHANGEOVER FEED
8	N/C
9	PROJECTOR
10	N/C
11	LENS SCOPE
12	LENS SPECIAL
13	LENS FEED
14	LENS FEED
15	LENS FLAT



Override Cable assembly. P/N 39349.
Figure 26

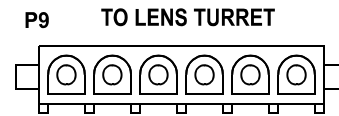
P7 To projector motor, changeover and framing lamp.

P7	DESCRIPTION
1	FRAMING LAMP LO
2	FRAMING LAMP HI
3	GROUND
4	PROJECTOR NEUTRAL
5	CHANGEOVER NEUTRAL
6	CHANGEOVER OPEN
7	CHANGEOVER CLOSE
8	PROJECTOR



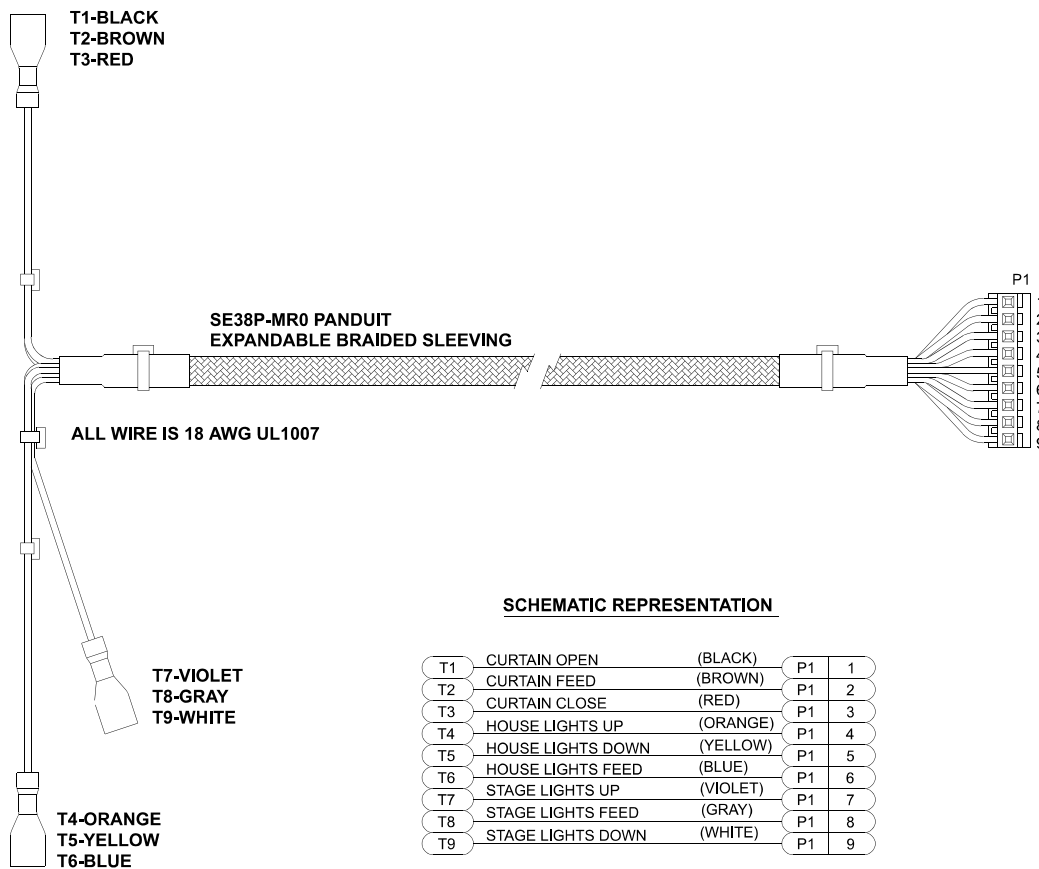
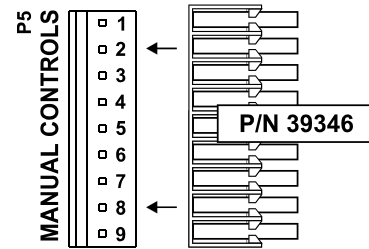
P9 To lens turret.

P9	DESCRIPTION
1	TURRET LINE
2	TURRET NEUTRAL
3	SPECIAL
4	FLAT
5	SCOPE
6	LENS FEED

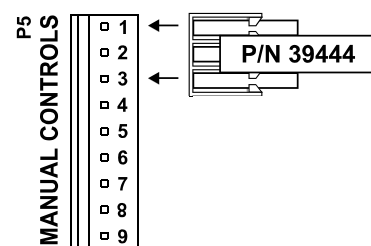


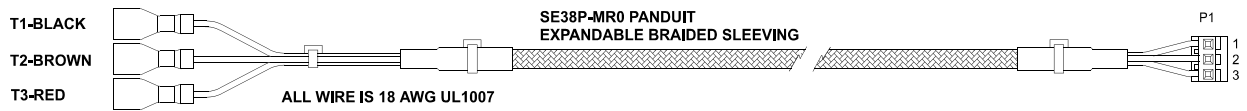
P5 Manual Controls: Curtain and Lights. (Use 39346 or 39444 cable assembly.)

P5	DESCRIPTION
1	CURTAIN OPEN
2	CURTAIN FEED
3	CURTAIN CLOSE
4	HOUSE LIGHTS UP
5	HOUSE LIGHTS DOWN
6	HOUSE LIGHTS FEED
7	STAGE LIGHTS UP
8	STAGE LIGHTS FEED
9	STAGE LIGHTS DOWN



Override Cable assembly. P/N 39346.
Figure 27





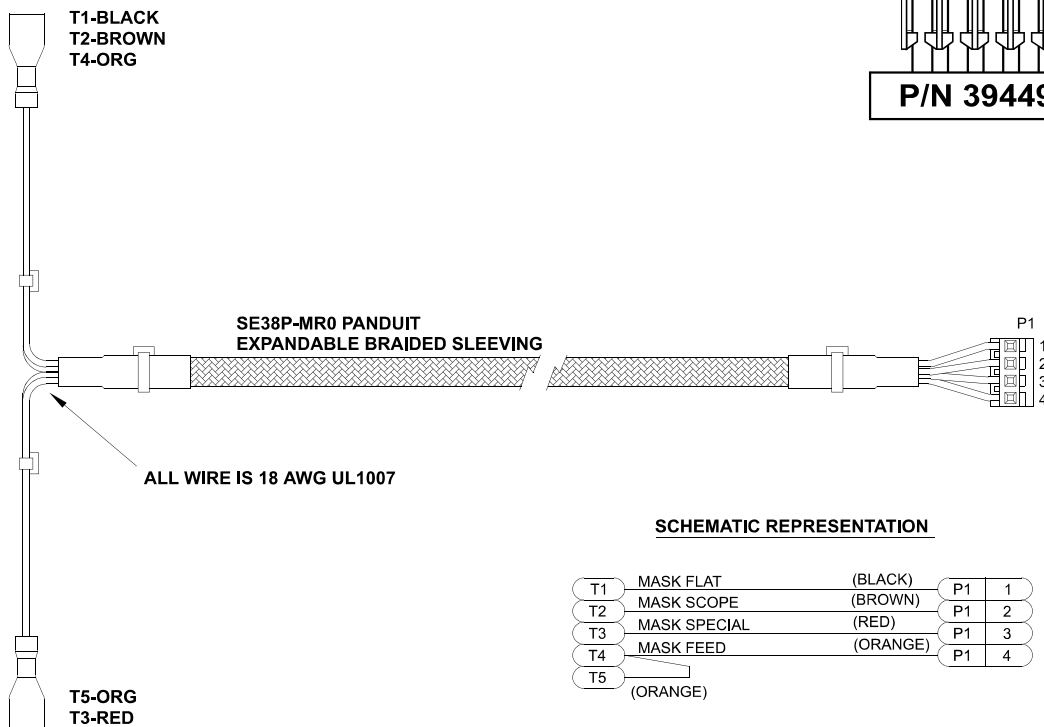
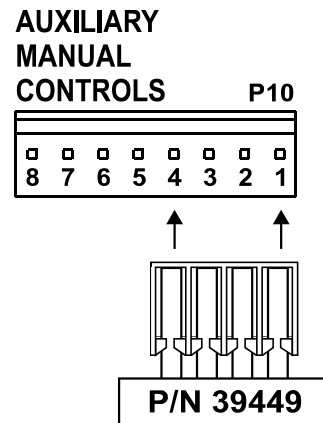
SCHEMATIC REPRESENTATION

T1	CURTAIN OPEN	(BLACK)	P1	1
T2	CURTAIN FEED	(BROWN)	P1	2
T3	CURTAIN CLOSE	(RED)	P1	3

Curtain Override Cable assembly. P/N 39444
Figure 28

P10 Auxiliary Manual Controls: Masking. (Use 39449 cable assembly if panel is not mounted in BTC-10 cabinet.)

P10	DESCRIPTION
1	MASK FLAT
2	MASK SCOPE
3	MASK SPECIAL
4	MASK FEED
5	MASK FLAT
6	MASK SCOPE
7	MASK SPECIAL
8	MASK FEED



SCHEMATIC REPRESENTATION

T1	MASK FLAT	(BLACK)	P1	1
T2	MASK SCOPE	(BROWN)	P1	2
T3	MASK SPECIAL	(RED)	P1	3
T4	MASK FEED	(ORANGE)	P1	4
T5		(ORANGE)		

Masking Override Cable assembly. P/N 39449.
Figure 29

BTC-10 Booth Termination Cabinet

The Booth Termination board can be mounted in the console or optionally in a wall mount cabinet. The BTC-10 wall cabinet can be delivered to the job site early allowing the electrician to pre-wire the curtains, masking motors, LSN (Sync Network), light dimmer and sound processor. The BTC-10 is available with optional manual override switches.

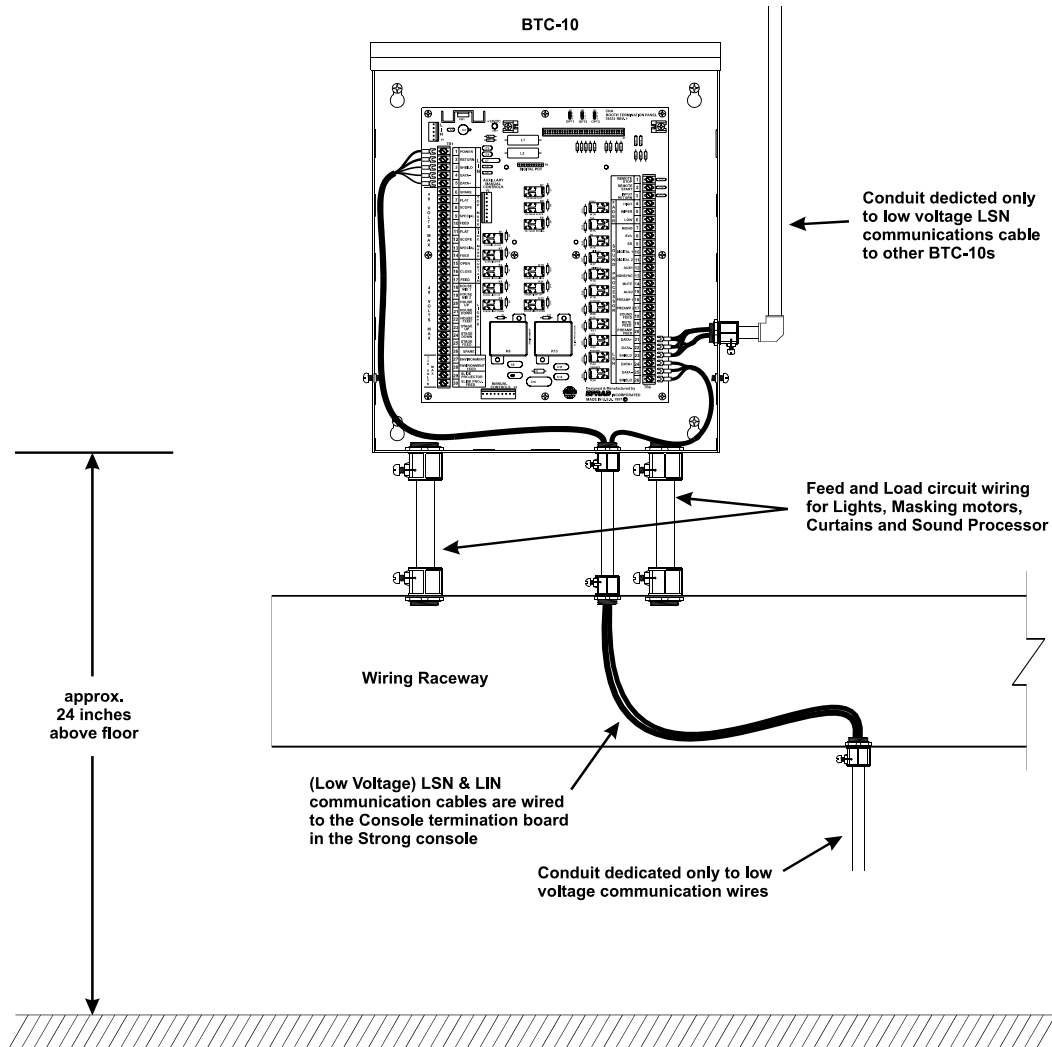


Figure 30

The Figure above shows a typical BTC-10 installation. The internal connections required for LSN and LIN communications cables are also shown. The LIN and one LSN cable is wired to the Console termination board in the Strong Console. Keep all LSN and LIN cables separated from high voltage and electrically noisy wiring by running them in conduit dedicated to low voltage communication wires. The cabinet is constructed of 16 gage steel measuring 16-1/2 inches high by 14 inches wide by 3-1/2 inches deep. The four mounting holes are keyholes capable of accepting 1/4-20 bolts or screws with a maximum head diameter of 7/16 inch.

Begin by locating the four keyhole center lines on the wall. Install the appropriate wall anchors and turn the fasteners until 1/4 inch is left between the head and wall. It is recommended that the top of the BTC-10 not exceed 46" from the floor for proper viewing and operation of the control panel. Hang the cabinet on the four fasteners and secure it by tightening the fasteners.

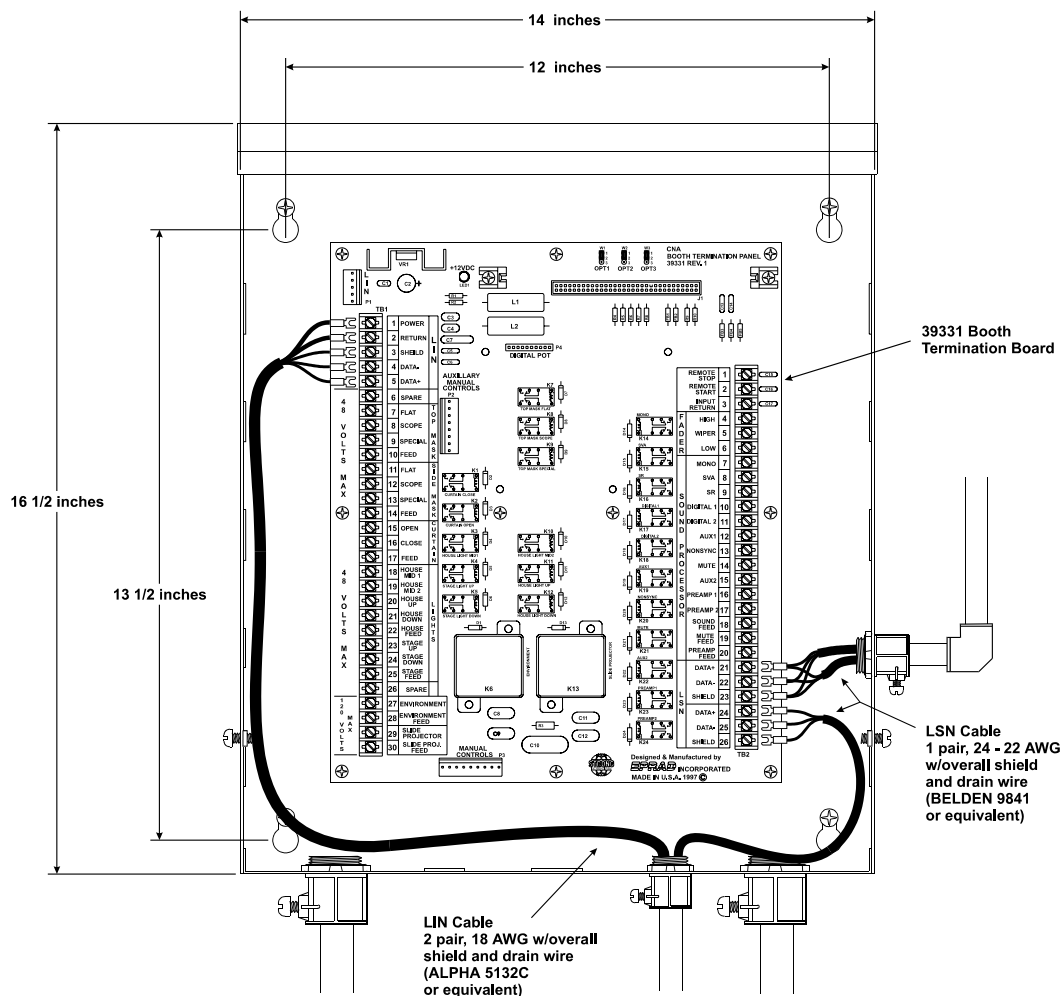


Figure 31

7/8 inch and 1-1/8 inch knockouts are provided on the bottom and both sides of the cabinet. Prepare the cabinet for wiring by removing the desired knockouts.

BTC-10 CABINET DIMENSIONS

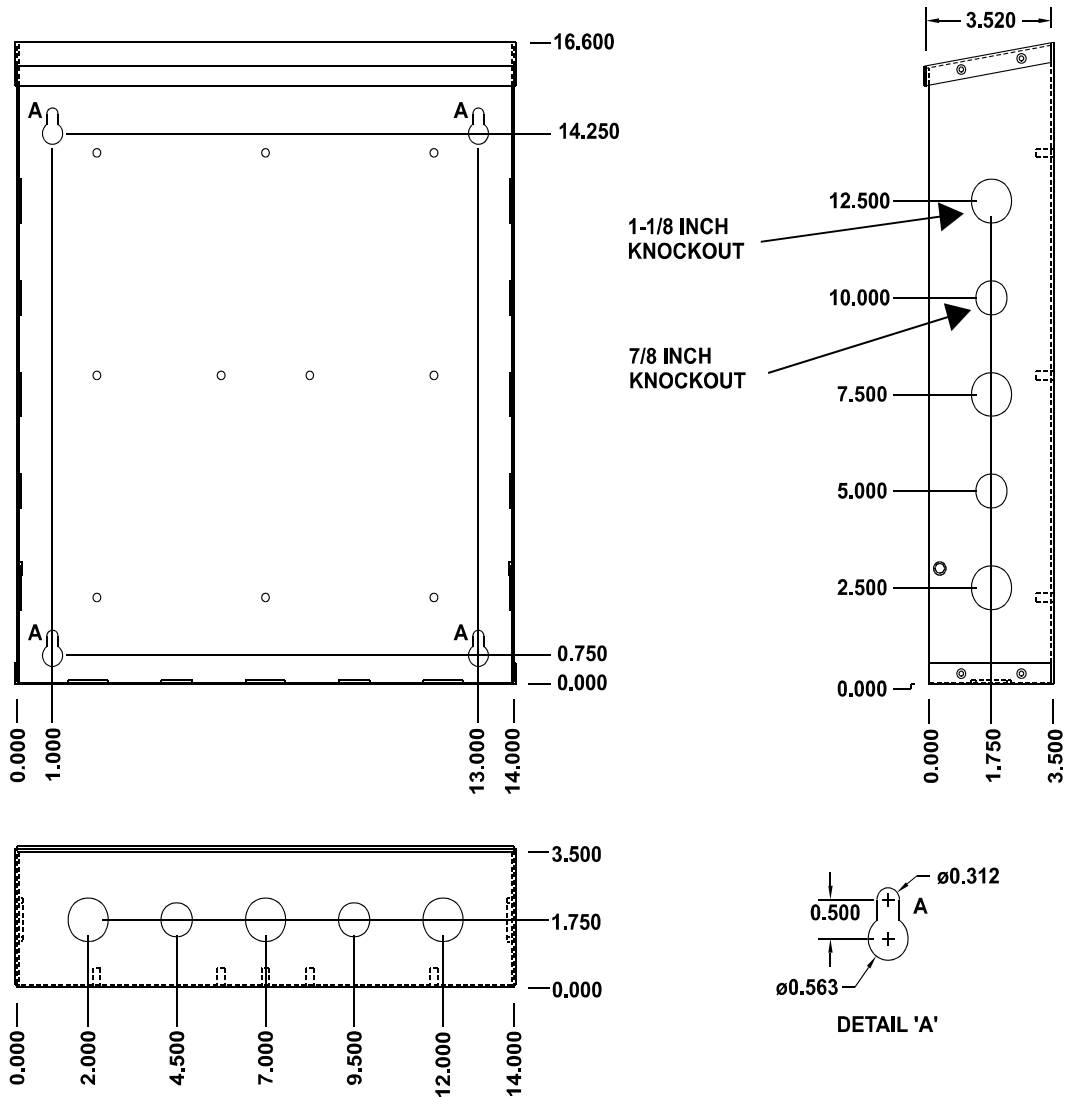
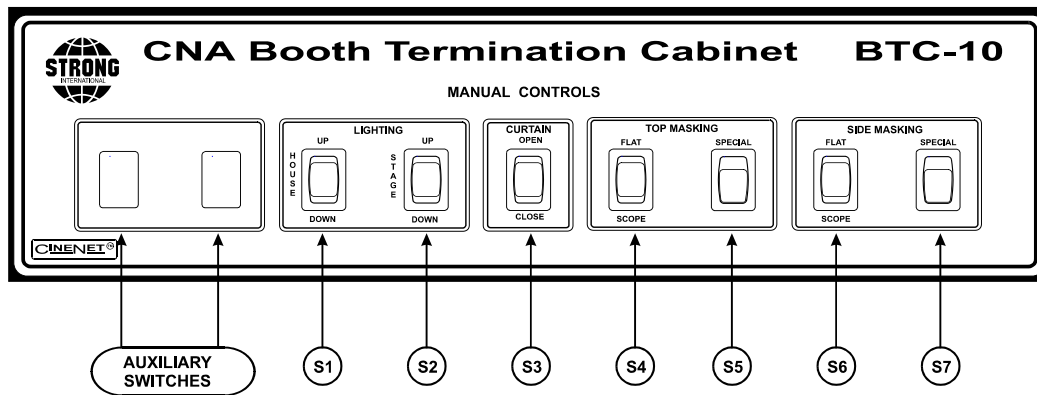


Figure 32

The BTC-10 provides (optional) override switches for masking, curtains and auditorium lights. Two auxiliary switches can be installed and their function can be determined by the installer. The auxiliary switches can be either momentary or maintained contact. The momentary switches are rated for 6 amps @ 120 vac and the maintained switches are rated for 16 amps @ 120 vac.



Control Panel
Figure33

- S1 - House Lights UP/DOWN
- S2 - Stage Lights UP/DOWN
- S3 - Curtains OPEN/CLOSE
- S4 - Top Masking FLAT/SCOPE
- S5 - Top Masking SPECIAL
- S6 - Side Masking FLAT/SCOPE
- S7 - Side Masking SPECIAL

Available (standard) Configurations:

- | | |
|------------------|---|
| Part No. 39340 | BTC-10 with no switches |
| Part No. 39340-1 | BTC-10 with S1, S2 & S3 |
| Part No. 39340-2 | BTC-10 with S1, S2, S3, S4, S5, S6 & S7 |
| Part No. 39340-3 | BTC-10 with S4, S5, S6 & S7 |

Order auxiliary switches separately.

The manual override cable assembly drawings are shown below. The 39344 and the 39345 cable assemblies may also be ordered separately.

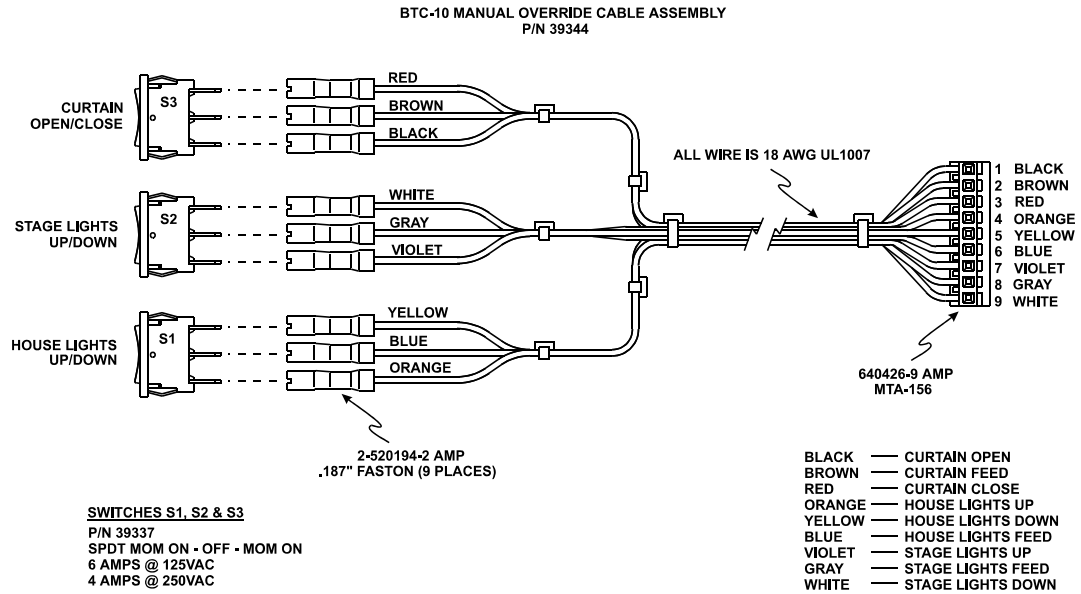


Figure 34

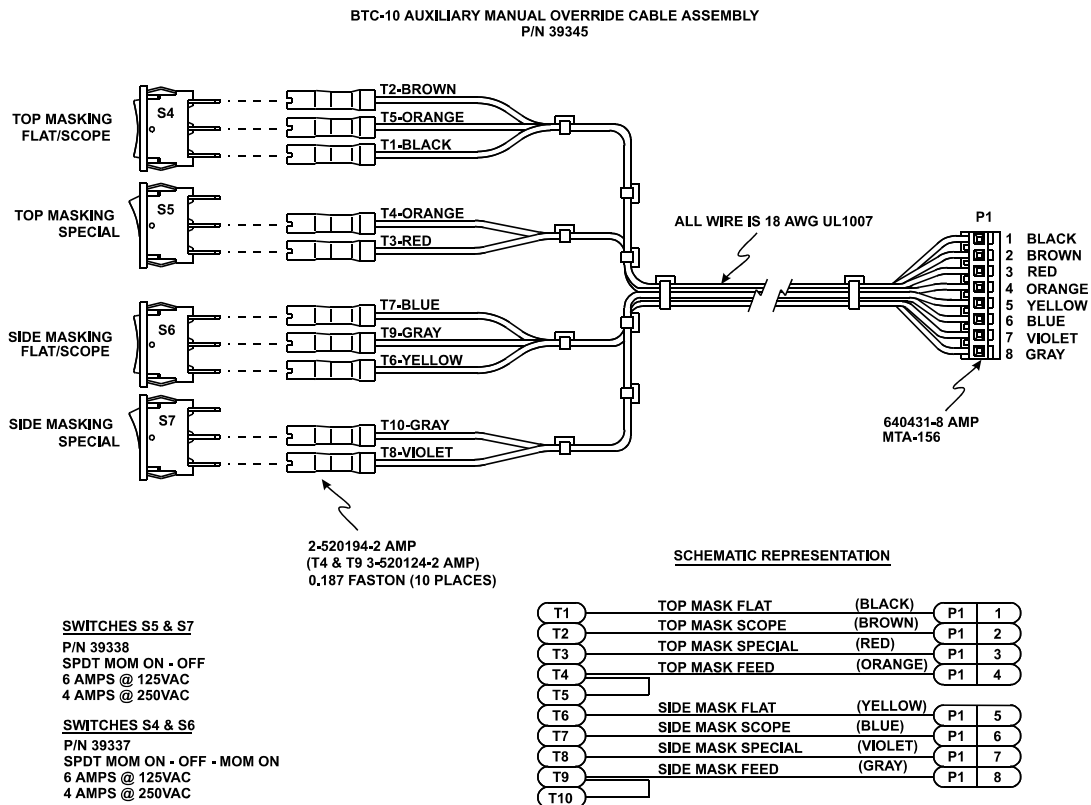


Figure 35

Configuring the CNA System

CNA Main Board

This section describes the setup and operation of the CNA main board.

Network ID

The LSN can support up to 64 devices (CNAs, Remote Status Monitors and a Gateway Interface). Each device will each require a unique Id number. Id 0 is reserved for the *Host PC* and Ids 1 through 63 are assigned to CNAs and other devices as necessary. To keep things simple, assign the CNA Ids starting at 1, corresponding to the house number and working up. The Remote Monitor's Ids, if used, should be assigned to the higher numbers starting at 62 and working down. You may want to keep Id 63 reserved for a portable or *secondary* host.

To set the Id number, first locate the eight position dip switch designated S1.

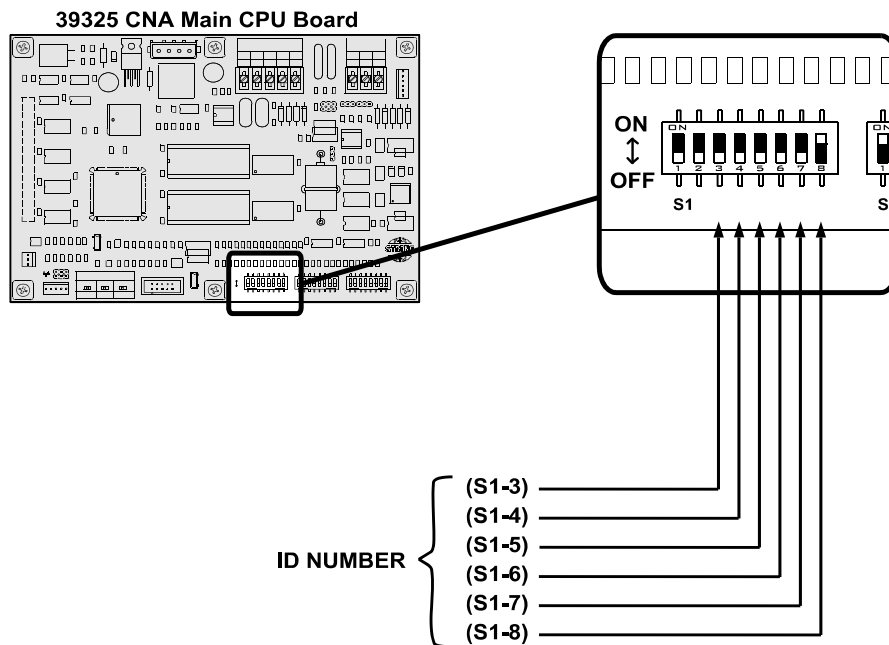


Figure 36

S1-3 through S1-8 are used to set the ID number. The number is represented as a 6-bit binary number which allows for 64 possible ID numbers (0-63). Do not use 0 (zero) as an ID number. It has been reserved for the PC Gateway Interface.

Each bit (switch) has a decimal value. Add up the decimal values to get the ID number. For example, ID number 15 would be $8+4+2+1=15$ or a DIP switch setting of 001111.

S1-3 On : 1 Decimal value = 32
Off : 0 Decimal value = 0 (Factory Default)

S1-4 On : 1 Decimal value = 16
Off : 0 Decimal value = 0 (Factory Default)

S1-5 On : 1 Decimal value = 8
Off : 0 Decimal value = 0 (Factory Default)

S1-6 On : 1 Decimal value = 4
Off : 0 Decimal value = 0 (Factory Default)

S1-7 On : 1 Decimal value = 2
Off : 0 Decimal value = 0 (Factory Default)

S1-8 On : 1 Decimal value = 1 (Factory Default)
Off : 0 Decimal value = 0

Use the table to configure the CNAs Id number with switches S1-3 through S1-8.


























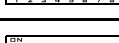
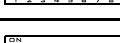
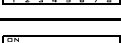
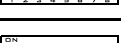
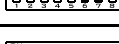
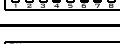
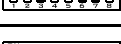
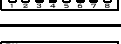
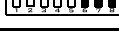



















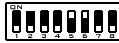











OFF=  ON= 	ID = 16 	ID = 32 	ID = 48 
ID = 1 	ID = 17 	ID = 33 	ID = 49 
ID = 2 	ID = 18 	ID = 34 	ID = 50 
ID = 3 	ID = 19 	ID = 35 	ID = 51 
ID = 4 	ID = 20 	ID = 36 	ID = 52 
ID = 5 	ID = 21 	ID = 37 	ID = 53 
ID = 6 	ID = 22 	ID = 38 	ID = 54 
ID = 7 	ID = 23 	ID = 39 	ID = 55 
ID = 8 	ID = 24 	ID = 40 	ID = 56 
ID = 9 	ID = 25 	ID = 41 	ID = 57 
ID = 10 	ID = 26 	ID = 42 	ID = 58 
ID = 11 	ID = 27 	ID = 43 	ID = 59 
ID = 12 	ID = 28 	ID = 44 	ID = 60 
ID = 13 	ID = 29 	ID = 45 	ID = 61 
ID = 14 	ID = 30 	ID = 46 	ID = 62 
ID = 15 	ID = 31 	ID = 47 	ID = 63 

Figure 37

Alarm Loudness setting

The alarm loudness can be set for one of three intensities; LOW (87 dBA), MEDIUM (94 dBA), HIGH (98 dBA).

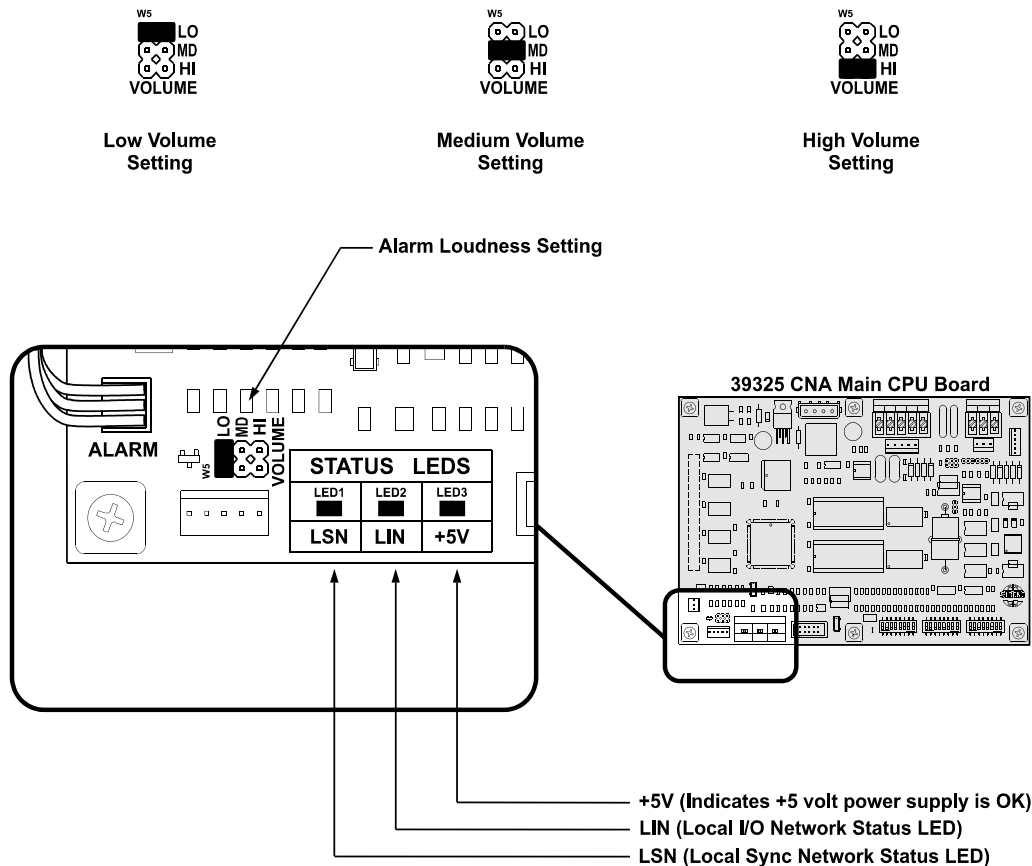


Figure 38

Status LEDs

There are three status LEDs on the 39325/ 39425 Main CPU Board. These indicate the status of the +5 volt power supply, the LSN and the LIN. Following are the three conditions for the LIN and LSN LEDs:

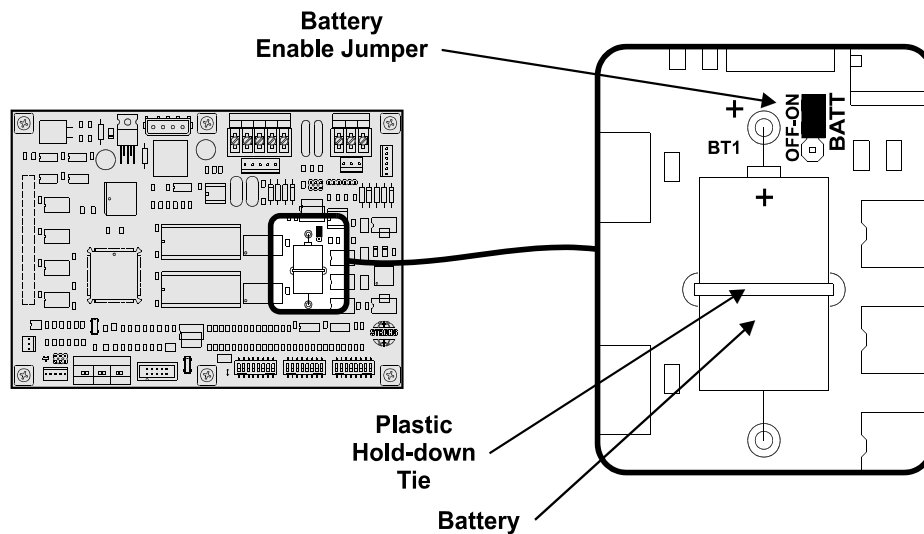
Fast Blinking Rate: The CNA computer is working and is communicating properly.

Slow Blinking Rate: The CNA computer is working, but is *not* communicating.

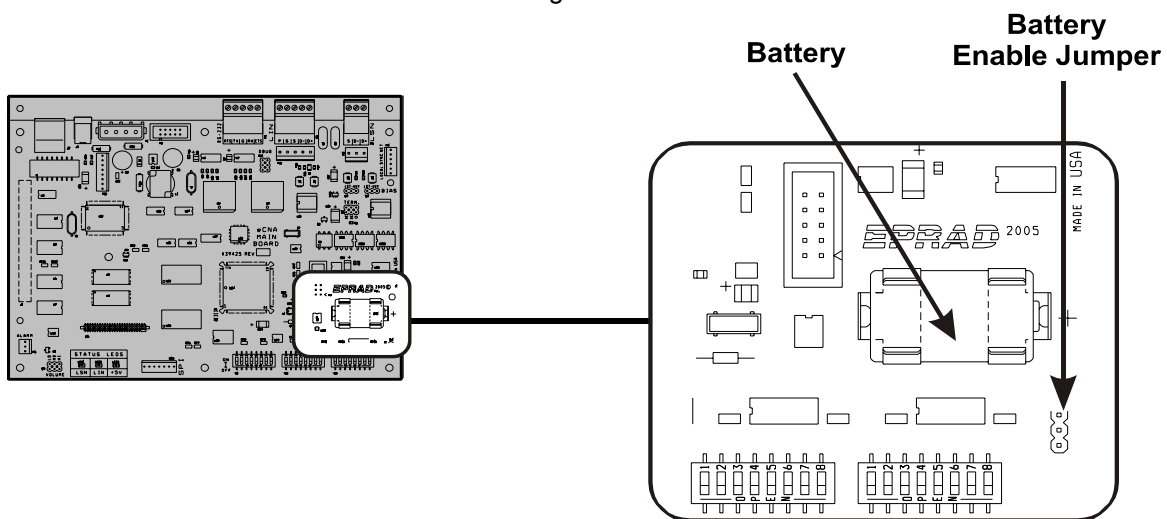
Off: The CNA computer has a problem.

Battery

Be sure the battery is seated properly in the sockets and the battery jumper W4 is in the ON position.



CNA Battery Jumper Configuration
Figure 39



eCNA Battery Jumper Configuration
Figure 40

No attempt should be made by the user to replace the lithium battery. Return the board or entire system to Strong International or have an experienced technician replace it in the event of failure. Copy all program information to another CNA or back it up with the Host program before replacing to minimize data loss and reprogramming time.

Caution: When the battery is removed, all user configured data will be lost.

Mainboard Configuration

Various aspects of operation can be customized with DIP switch settings. The switch definitions for the eCNA automation are described in the following sections.

eCNA-200 DIP Switch Settings

Current to version 2.001

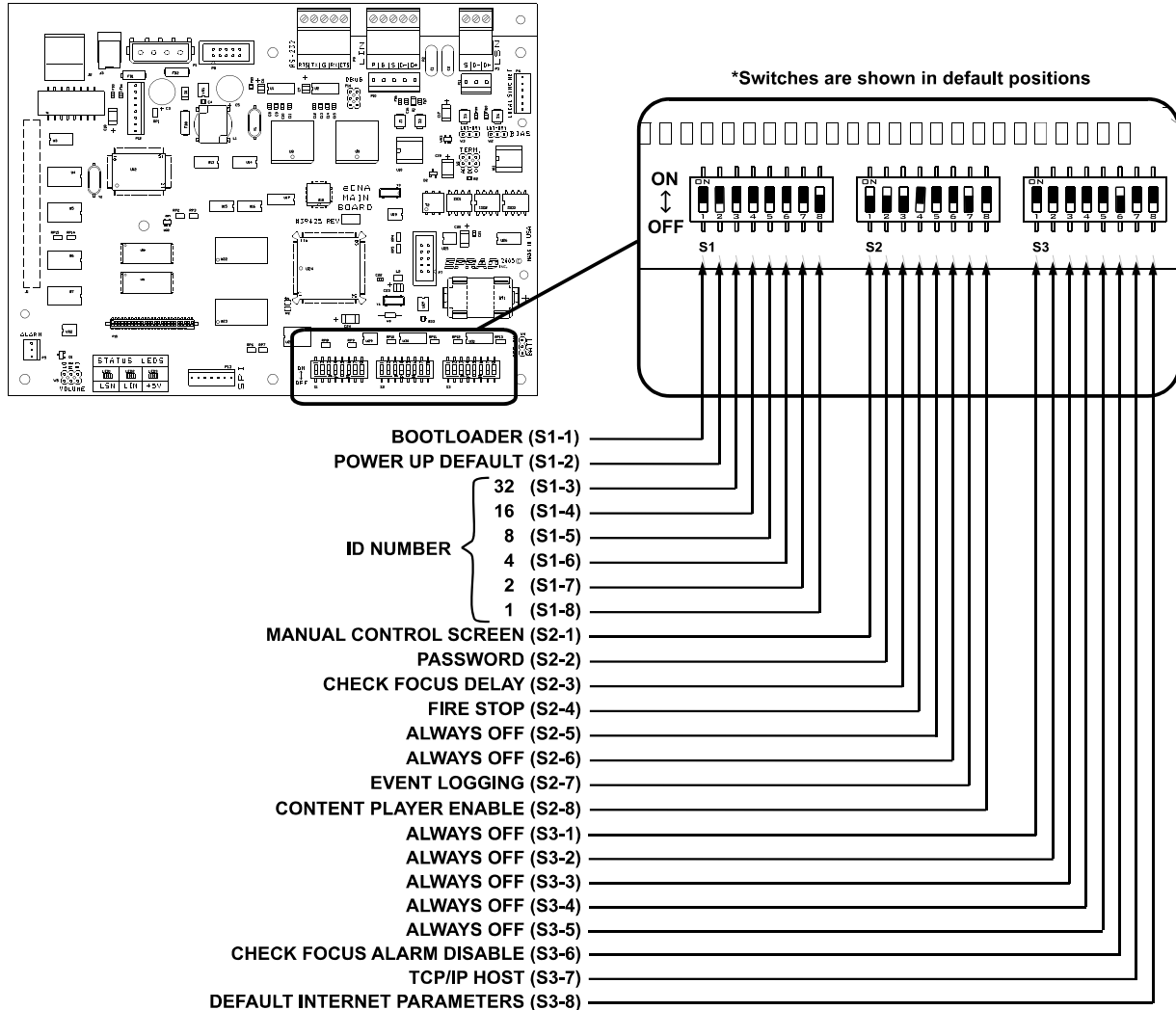


Figure 41

Switch Definitions, eCNA-200

S1-1 Bootloader

- On : Forces Bootloader
- Off : Normal use (factory default)

The Bootloader program supports the LSN flash update network commands to load the eCNA-200 application program into flash memory over the LSN. The Bootloader itself is erase protected and cannot be erased by the user. This protection ensures that the Bootloader can always be reloaded even if the rest of the flash memory is corrupted through programmer error or by other means. If flash memory was corrupted, setting this switch to on will force the Bootloader program at power up.

S1-2 Power Up Defaults

- On : Force “Supervisory Defaults” on power up. Default Supervisory data will be restored on each power up overwriting all user programmed supervisory data.
- Off : Will **not** overwrite user programmed supervisory data on power up. (Factory Default)

S1-3 through S1-8 Network ID

Sets the LSN network ID value of the eCNA.

S2-1 Manual Control Screen

- On : Enable the “Manual Control” screen. (Factory Default)
- Off : Disable the “Manual Control” screen.

The Manual Control screen allows the manual control of most outputs including: sound, lens, masking, lights and volume level.

S2-2 Password

- On : Requires use of the “high level” password to access many of the programming functions. (Factory Default)
- Off : Disables the password. No password is required to access the programming functions.
High level password is user-configurable, This switch can be disabled via the Host or locally.

S2-3 Check Focus Delay

- On : Enables the “Check Focus Delay” function. In Clock Start or Timed Start the alarm will sound prior to the show starting. (Factory Default)
- Off : Disables the “Check Focus Delay” function.

The Check Focus feature alerts the operator that the show is about to start. In Timed Start the alarm will begin to sound 7 seconds prior to the show starting. This gives the operator time to make any quick adjustments and to insure the image on the screen is in focus. This feature is available for manual start inputs as well.

S2-4 Fire Stop Option

- On : Enables the “Fire Stop” function.
- Off : Disables the “Fire Stop” function. (Factory Default)

39331 Booth Termination Board - Converts the Remote Stop input to a Fire Stop input and the Slide Projector relay (K13) to a Fire Stop output. Fire Stop *acts* like a Remote Stop with the following exceptions:

- Sound is Muted.
- Slide Projector on *39330 Console Termination Board* is turned off *or* held off.
- K13 relay (Slide Projector) on Booth Termination board is turned on.
- Zones 3-16 are unaffected by a firestop input.

If this feature is enabled the slide projector must be wired to the 39330 Console termination board.

39332 Termination Board - Remote Stop input must be enabled on board. (W1-OPT1 jumper across pins 2 and 3 changes the Film Tension input to a Remote Stop input.) Converts the Remote Stop input to a Fire Stop input. Fire Stop *acts* like a Remote Stop with the following exceptions:

- Sound is Muted.
- Slide Projector is turned off *or* held off.

S2-5 Always Off

- On : Undefined
- Off : Undefined (Factory Default)

S2-6 Always Off

- On : Undefined
- Off : Undefined (Factory Default)

S2-7 Event Logging

- On : Enabled - Events are sent to the Host computer. (Factory Default)
- Off : Disabled - Events are not sent to the Host computer.

S2-8 Content Player Option

- On : Enables interface with Digital Content Player
- Off : Disables interface option. (Factory Default)

S3-6 Check Focus Delay alarm

- On : Disables the RCM/ RSM-10 “Check Focus Alarm” (Factory Default)
- Off : Enables the RCM/ RSM-10 “Check Focus Alarm”

S3-7 TCP Host

- On : TCP Host
- Off : LSN Host (Factory Default)

Allows choice of either Ethernet Host communications or standard LSN

S3-8 Default Internet Parameters

- On : Default parameters
- Off : User parameters (Factory Default)

Selects from Default parameters and EEPROM (User-configured parameters)

S3-1 through S3-5, Always Off

- On : Undefined
- Off : Undefined (Factory Default)

CNA-200 DIP Switch Settings

Current to version 1.029

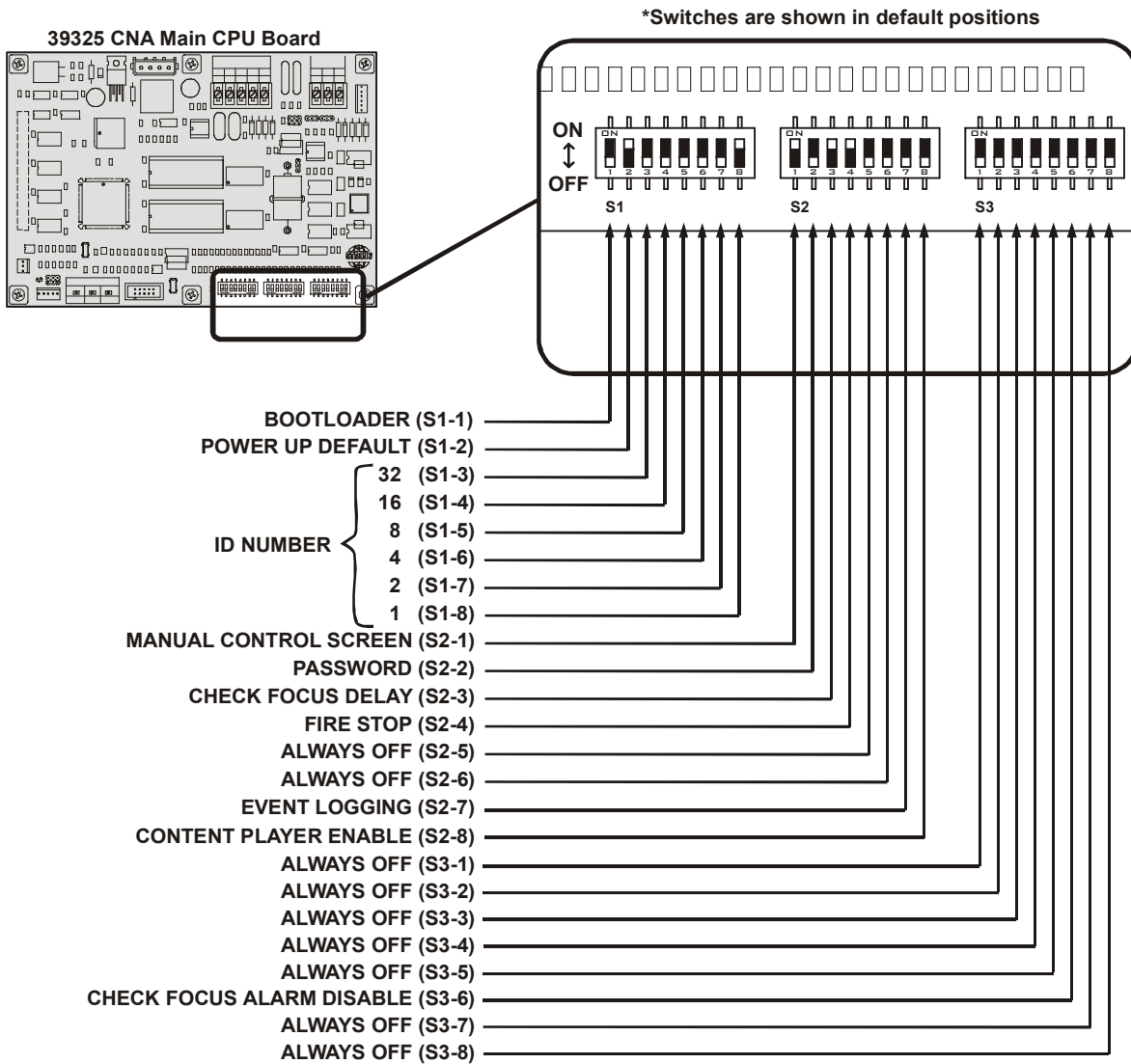


Figure 42

Switch Definitions, CNA-200

S1-1 Bootloader

- On : Force Bootloader.
- Off : Normal Use. (Factory Default)

The Bootloader program supports the LSN flash update network commands to load the CNA-200 application program into flash memory over the LSN. The Bootloader itself is erase protected and cannot be erased by the user. This protection ensures that the Bootloader can always be reloaded even if the rest of the flash memory is corrupted through programmer error or by other means. If flash memory was corrupted, setting this switch to on will force the Bootloader program at power up.

Note: Applies to version 1.016 and up

S1-2 Power Up Defaults

- On : Force “Supervisory Defaults” on power up. Default Supervisory data will be restored on each power up overwriting all user programmed supervisory data.
- Off : Will not overwrite user programmed supervisory data on power up. (Factory Default)

Note: Applies to version 1.000 and above

S1-3 through S1-8 Network ID

Used to configure the CNA-200's LSN ID#

S2-1 Manual Control Screen

- On : Enable the “Manual Control” screen. (Factory Default)
- Off : Disable the “Manual Control” screen.

The Manual Control screen allows the manual control of most outputs including: sound, lens, masking and lights. Starting with version 1.016, the volume level can also be adjusted.

Note: Applies to version 1.011 and above

S2-2 Password

On : Requires use of the “high level” password to access many of the programming functions. (Factory Default)

Off : Disables the password. No password is required to access the programming functions.

Note: Applies to version 1.000 and above

High level password is user-configurable for version 1.021 and up.

This switch’s function can be overridden from the host or locally with version 1.029 and up.

S2-3 Check Focus Delay

On : Enables the “Check Focus Delay” function. In Clock Start or Timed Start the alarm will sound prior to the show starting. (Factory Default)

Off : Disables the “Check Focus Delay” function.

The Check Focus feature alerts the operator that the show is about to start. In Timed Start the alarm will begin to sound 7 seconds prior to the show starting. This gives the operator time to make any quick adjustments and to insure the image on the screen is in focus.

This feature is available for manual start inputs as well with firmware versions 1.022 and above.

Note: General function applies to version 1.006 and above.

S2-4 Fire Stop Option

On : Enables the “Fire Stop” function. (Factory Default)

Off : Disables the “Fire Stop” function.

39331 Booth Termination Board - Converts the Remote Stop input to a Fire Stop input and the Slide Projector relay (K13) to a Fire Stop output. Fire Stop *acts* like a Remote Stop with the following exceptions:

- Sound is Muted.
- Slide Projector on 39330 *Console Termination Board* is turned off *or* held off.
- K13 relay (Slide Projector) on Booth Termination board is turned on.
- Zones 3-16 are unaffected by a firestop input.

If this feature is enabled the slide projector must be wired to the 39330 Console termination board.

39332 Termination Board - Remote Stop input must be enabled on board. (W1-OPT1 jumper across pins 2 and 3 changes the Film Tension input to a Remote Stop input.) Converts the Remote Stop input to a Fire Stop input. Fire Stop *acts* like a Remote Stop with the following exceptions:

- Sound is Muted.
- Slide Projector is turned off *or* held off.

Note: Applies to version 1.011 and later

S2-5 Always Off

On : Undefined
Off : Undefined (Factory Default)

Note: Applies to version 1.000 and later

S2-6 Always Off

On : Undefined
Off : Undefined (Factory Default)

S2-7 Event Logging

On : Enabled - Events are sent to the Host computer.
Off : Disabled - Events are not sent to the Host computer. (Factory Default)

Note: Applies to version 1.014 and later

S2-8 Content Player Option

On : Enables interface with Content Player
Off : Disables interface option.

Note: Applies to version 1.000 and later

S3-6 Check Focus Delay alarm

On : Disables the RCM/ RSM-10 “Check Focus Alarm”
Off : Enables the RCM/ RSM-10 “Check Focus Alarm”

Note: Applies to version 1.029 and above

S3-1 through S3-5, S3-7&8 Always Off

On : Undefined
Off : Undefined (Factory Default)

eCNA-150 DIP Switch Settings

Current to Version 4.010

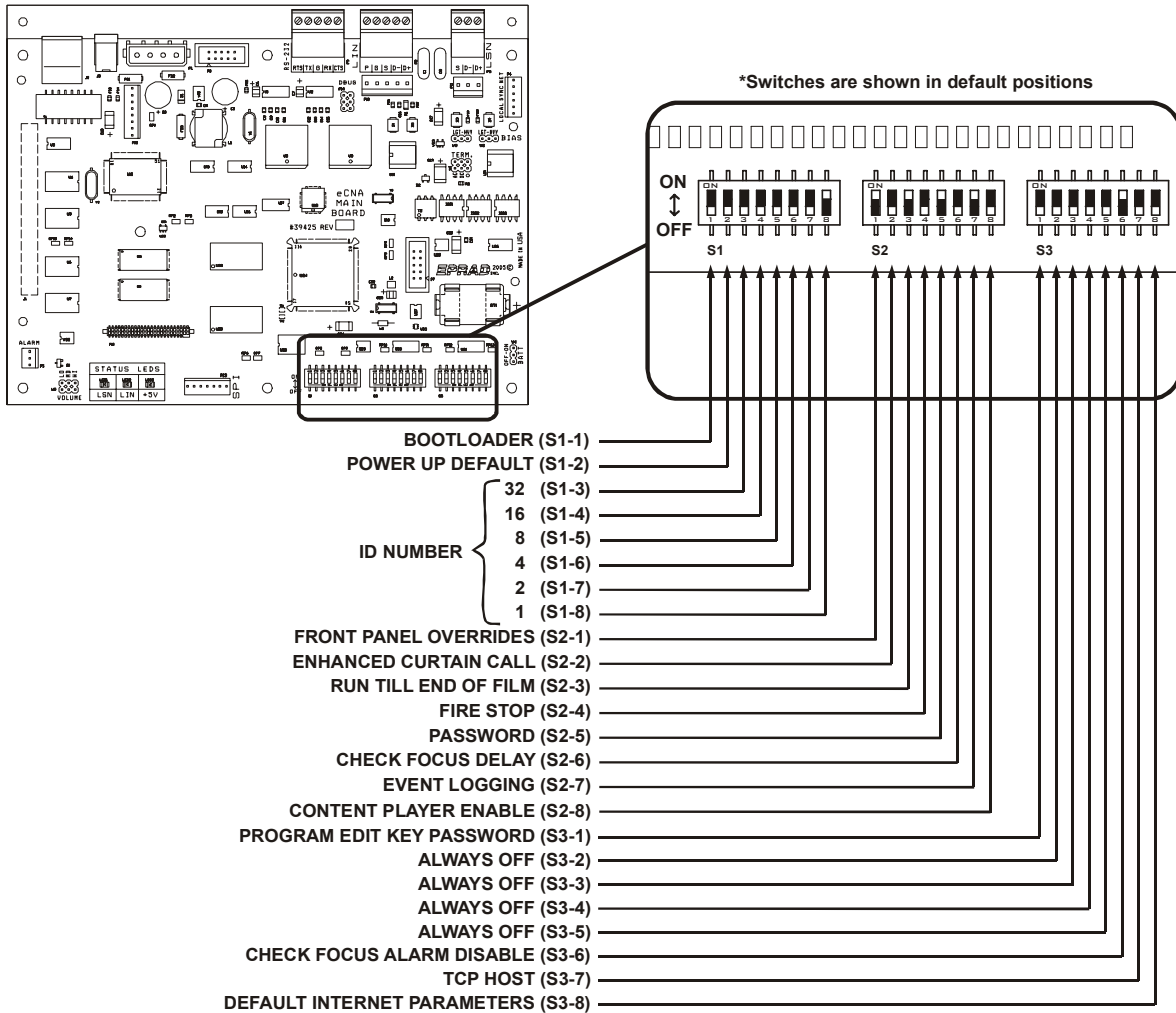


Figure 43

Switch Definitions, eCNA-150:

S1-1 BootLoader

- On : Force Bootloader.
- Off : Normal Use. (Factory Default)

S1-2 Supervisory Defaults

- On : Force “Supervisory Defaults” on power up. Default Supervisory data will be restored on each power up.
- Off : Will not overwrite user-programmed supervisory data on power up. If you change any of the default settings with the Host program this switch must be off or the next time the eCNA-150 is powered up all user settings will be over-written with the defaults. (Factory Default)

S1-3 through S1-8 Network ID

Used to configure the CNA-200's LSN ID#

S2-1 Front Panel Overrides

- On : Enable **front panel overrides**. The Sound, Lights, Lens/Masking and Auxiliary front panel switches will override the outputs without affecting the program. The next instruction will override any manual changes. (Factory Default)
- Off : Disable front panel overrides. The Sound, Lights, Lens/Masking and Auxiliary front panel switches are only used for programming.

S2-2 Curtain Call

- On : Enables the **Curtain Call** function and overrides the original Curtain Call function. Place the Curtain Call cue at a distance before the next cue that is equal to the curtain close time. When the eCNA-150 sees the Curtain Call cue, the curtains begin to close, the changeover closes and sound is muted. At the next cue, the curtains will begin to open. After the CURTAIN CLOSE TIMER counts down to zero, the curtain will be fully open and the changeover will open and the sound is selected.
- Off : Original Curtain Call function. (Factory Default)

S2-3 Run Til' End of Film

- On : Enables the “**Run til End of Film**” function. This overrides the normal 7 second motor off delay. The projector motor will run until the film runs out of the failsafe. (Factory Default)
- Off : Disables the “Run til End of Film” function. The projector motor will shut off after the normal 7 second delay.

S2-4 Firestop

On : Enables the “**Fire Stop**” function.

39331 Booth Termination Board - Converts the Remote Stop input to a Fire Stop input and the Slide Projector relay (K13) to a Fire Stop output. Fire Stop *acts* like a Remote Stop with the following exceptions:

- Sound is Muted.
- Slide Projector on *39330 Console Termination Board* is turned off *or* held off.
- K13 relay (Slide Projector) on Booth Termination board is turned on.

39332 Termination Board - Remote Stop input must be enabled on board. (W1-OPT1 jumper across pins 2 and 3 changes the Film Tension input to a Remote Stop input.) Converts the Remote Stop input to a Fire Stop input. Fire Stop *acts* like a Remote Stop with the following exceptions:

- Sound is Muted.
- Slide Projector is turned off *or* held off.

Off : Disables the “**Fire Stop**” function. (Factory Default)

S2-5 Password

On : Requires use of the **password** to **access** many of the functions. (Factory Default)

Off : Disables the password. No password is required to access the functions.

This switch can be software overridden using the latest version of host software.

S2-6 Check Focus Delay

On : Enables the “**Check Focus Delay**” function. In Clock Start or Timed Start the alarm will sound prior to the show starting.

Off : Disables the “**Check Focus Delay**” function. (Factory Default)

The Check Focus feature alerts the operator that the show is about to start. In Timed Start the alarm will begin to sound 7 seconds prior to the show starting. This gives the operator time to make any quick adjustments and to insure the image on the screen is in focus.

S2-7 Event Logging

On : Enabled - Events are sent to the Host computer. (Factory Default)

Off : Disabled - Events are not sent to the Host computer.

S2-8 Content Player

On : Enable

Off : Disable (Factory Default)

This switch allows the eCNA to interact with a digital content player. Serial commands exchanged between the content player and CNA automation allows the digital projector and film projector to share the screen in a coordinated manner

* See *CAI user Guide*

S3-1 Program Edit Key Password

On : Enable (Password required to edit but not to view programs)

Off : Disable (No password required for program edit) (Factory Default)
“View only” mode indicated by Program Edit LED Flashing

S3-2 to 3-5 Always Off (Undefined)**S3-6 RCM/RSM-10 “Check Focus Alarm”**

On : Enable the RSM/RCM-10 Alarm (Factory Default)

Off : Disable the RSM/RCM-10 Alarm

Allows Unit to Sound alarm at the RSM 10 before the beginning of a presentation reminding operator to make any final focus adjustments.

S3-7 TCP Host

On : TCP host routing enabled

Off : LSN Host routing enabled (Factory Default)

Sets eCNA to communicate with HOST computer via Ethernet or LSN Networking.

S3-8 Default internet parameters

On : Default parameters used TCP/IP

Off : User parameters used for TCP/IP

This switch disables user defined EEPROM parameters and enables default IP of 192.168.0.254 and half duplex communication.

CNA-100/ 150 DIP Switch Settings

Current to Version 2.15/ 3.15

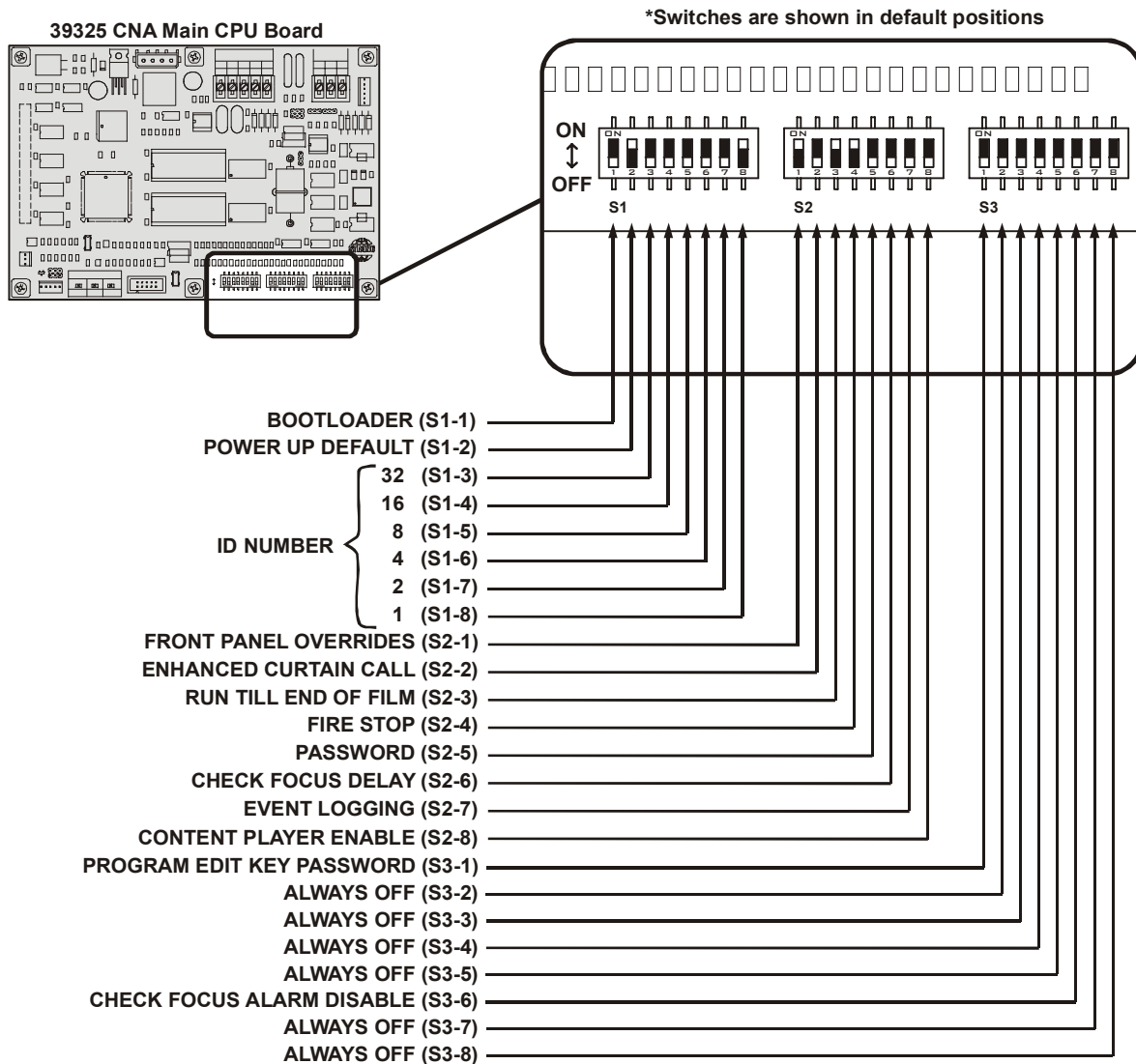


Figure 44

Switch Definitions, CNA-100/ 150

S1-1 Force Bootloader

- On : Force Bootloader.
- Off : Normal Use. (Factory Default)

Note: Only versions 2.05/ 3.050 and above

S1-2 Supervisory Defaults

- On : Force “Supervisory Defaults” on power up. Default Supervisory data will be restored on each power up. (Factory Default)
- Off : Will not overwrite user-programmed supervisory data on power up. If you change any of the default settings with the Host program this switch must be off or the next time the CNA-150 is powered up all user settings will be over-written with the defaults.

S1-3 through S1-8 Network ID

Used to configure the CNA's LSN ID#

S2-1 Enable front panel Overrides

- On : Enable front panel overrides. The Sound, Lights, Lens/Masking and Auxiliary front panel switches will override the outputs without affecting the program. The next instruction will override any manual changes. (Factory Default)
- Off : Disable front panel overrides. The Sound, Lights, Lens/Masking and Auxiliary front panel switches are only used for programming.

S2-2 Enhanced Curtain Call

- On : Enables the Curtain Call function and overrides the original Curtain Call function. Place the Curtain Call cue at a distance before the next cue that is equal to the curtain close time. When the CNA-150 sees the Curtain Call cue, the curtains begin to close, the changeover closes and sound is muted. At the next cue, the curtains will begin to open. After the CURTAIN CLOSE TIMER counts down to zero, the curtain will be fully open and the changeover will open and the sound is selected.
- Off : Original Curtain Call function. (Factory Default)

S2-3 Run Til'end of Film

- On : Enables the “Run til End of Film” function. This overrides the normal 7 second motor off delay. The projector motor will run until the film runs out of the failsafe. (Factory Default)

Off : Disables the “Run til End of Film” function. The projector motor will shut off after the normal 7 second delay.

S2-4 FireStop

On : Enables the “Fire Stop” function.

39331 Booth Termination Board - Converts the Remote Stop input to a Fire Stop input and the Slide Projector relay (K13) to a Fire Stop output. Fire Stop *acts* like a Remote Stop with the following exceptions:

- Sound is Muted.
- Slide Projector on *39330 Console Termination Board* is turned off *or* held off.
- K13 relay (Slide Projector) on Booth Termination board is turned on.

39332 Termination Board - Remote Stop input must be enabled on board. (W1-OPT1 jumper across pins 2 and 3 changes the Film Tension input to a Remote Stop input.) Converts the Remote Stop input to a Fire Stop input. Fire Stop *acts* like a Remote Stop with the following exceptions:

- Sound is Muted.
- Slide Projector is turned off *or* held off.

Off : Disables the “Fire Stop” function. (Factory Default)

S2-5 Password

On : Requires use of the password to access many of the functions. (Factory Default)

Off : Disables the password. No password is required to access the functions.

Note: Version 3.030 and later.

S2-6 Check Focus Delay

On : Enables the “Check Focus Delay” function. In Clock Start or Timed Start the alarm will sound prior to the show starting. (Factory Default)

Off : Disables the “Check Focus Delay” function.

The Check Focus feature alerts the operator that the show is about to start. In Timed Start the alarm will begin to sound 7 seconds prior to the show starting. This gives the operator time to make any quick adjustments and to insure the image on the screen is in focus.

Note: Version 3.030 and later.

S2-7 Event Logging

On : Enabled - Events are sent to the Host computer.
Off : Disabled - Events are not sent to the Host computer. (Factory Default)

Note: Version 3.040 and later

S2-8 Content Player

On: Enable
Off: Disable
Version 3.090 and later
** See CAI user Guide*

S3-1 Program Edit Key Password

On: Enable (Password required to edit but not to view programs)
Off: Disable (No password required for program edit)
“View only” mode indicated by Program Edit LED Flashing

Only available for versions 3.11 and up

This switch's function can be disabled from the host or directly at the CNA with versions 2.15/ 3.15 and up

S3-6 Check Focus Delay alarm

On : Disables the RCM/ RSM-10 “Check Focus Alarm”
Off : Enables the RCM/ RSM-10 “Check Focus Alarm”
This option is only configurable with firmware versions 2.15/ 3.15 and up

Remaining switches are not implemented yet and should stay in their default “always off” positions.

S3-2 to S3-5, S3-7 & S3-8 Undefined

Undefined, Factory default OFF position.

eCNA-100 DIP Switch Settings

Current to Version 3.010

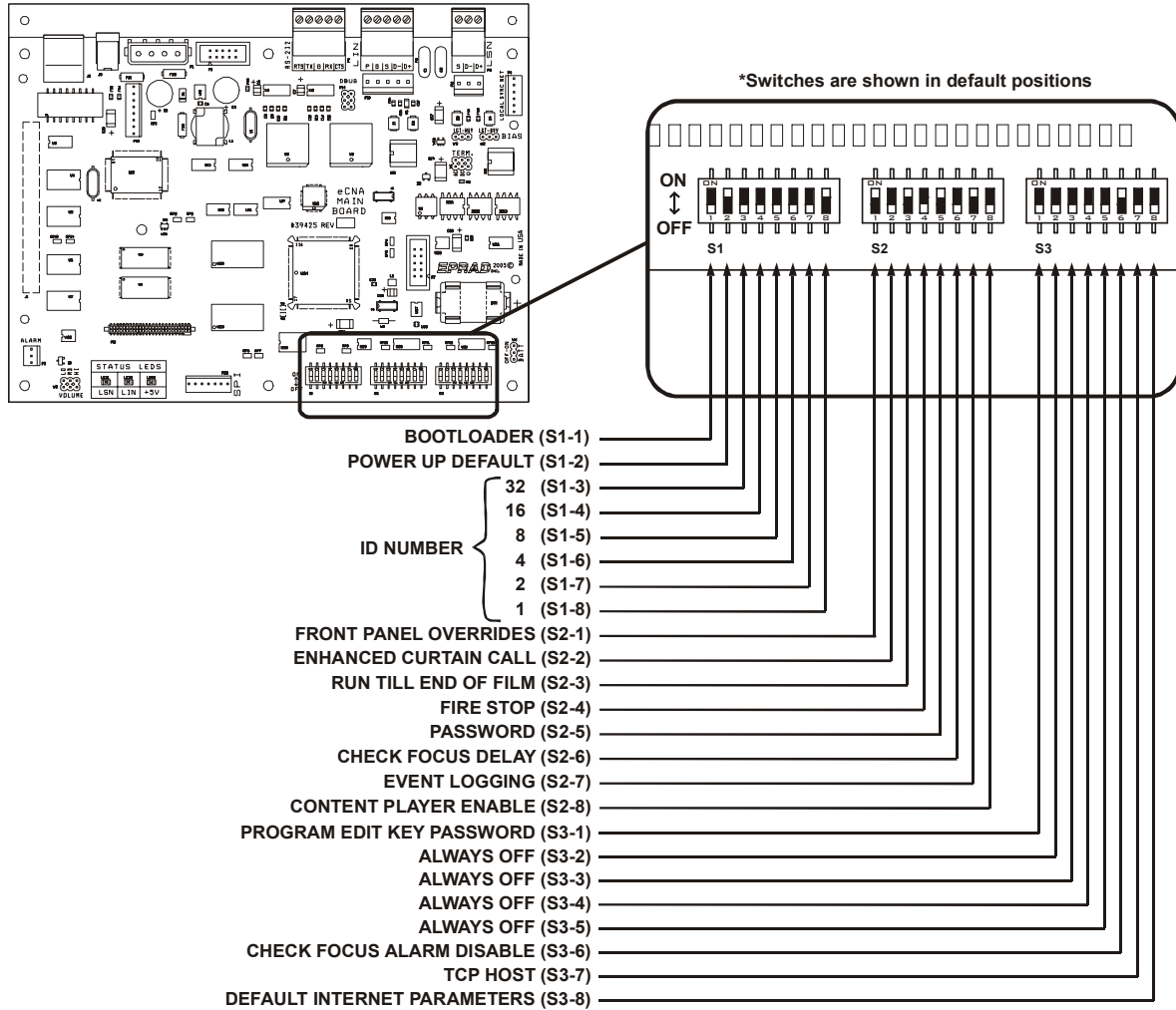


Figure 45

Switch Definitions, eCNA-100:

S1-1 Force Bootloader

- On : Force Bootloader.
- Off : Normal Use. (Factory Default)

S1-2 Supervisory Defaults

- On : Force “Supervisory Defaults” on power up. Default Supervisory data will be restored on each power up. (Factory Default)
- Off : Will **not** overwrite user-programmed supervisory data on power up. If you change any of the default settings with the Host program this switch must be off or the next time the eCNA-100 is powered up all user settings will be over-written with the defaults.

S1-3 through S1-8 Network ID

Used to configure the CNA-e100's LSN ID#

S2-1 Front Panel Overrides

- On : Enable front panel overrides. The Sound, Lights, Lens/Masking and Auxiliary front panel switches will override the outputs without affecting the program. The next instruction will override any manual changes. (Factory Default)
- Off : Disable front panel overrides. The Sound, Lights, Lens/Masking and Auxiliary front panel switches are only used for programming.

S2-2 Curtain Call

- On : Enables the Curtain Call function and overrides the original Curtain Call function. Place the Curtain Call cue at a distance before the next cue that is equal to the curtain close time. When the eCNA-100 sees the Curtain Call cue, the curtains begin to close, the changeover closes and sound is muted. At the next cue, the curtains will begin to open. After the CURTAIN CLOSE TIMER counts down to zero, the curtain will be fully open and the changeover will open and the sound is selected.
- Off : Original Curtain Call function. (Factory Default)

S2-3 Run Til' End of Film

- On : Enables the “Run til End of Film” function. This overrides the normal 7 second motor off delay. The projector motor will run until the film runs out of the failsafe. (Factory Default)
- Off : Disables the “Run til End of Film” function. The projector motor will shut off after the normal 7 second delay.

S2-4 Fire Stop

On : Enables the “Fire Stop” function.

39331 Booth Termination Board - Converts the Remote Stop input to a Fire Stop input and the Slide Projector relay (K13) to a Fire Stop output. Fire Stop *acts* like a Remote Stop with the following exceptions:

- Sound is Muted.
- Slide Projector on *39330 Console Termination Board* is turned off *or* held off.
- K13 relay (Slide Projector) on Booth Termination board is turned on.

39332 Termination Board - Remote Stop input must be enabled on board. (W1-OPT1 jumper across pins 2 and 3 changes the Film Tension input to a Remote Stop input.) Converts the Remote Stop input to a Fire Stop input. Fire Stop *acts* like a Remote Stop with the following exceptions:

- Sound is Muted.
- Slide Projector is turned off *or* held off.

Off : Disables the “Fire Stop” function. (Factory Default)

S2-5 Password

On : Requires use of the password to access many of the functions. (Factory Default)

Off : Disables the password. No password is required to access the functions.

This switch can be software overridden.

S2-6 Check Focus Delay

On : Enables the “Check Focus Delay” function. In Clock Start or Timed Start the alarm will sound prior to the show starting.

Off : Disables the “Check Focus Delay” function. (Factory Default)

The Check Focus feature alerts the operator that the show is about to start. This gives the operator time to make any quick adjustments and to insure the image on the screen is in focus.

S2-7 Event Logging

On : Enabled - Events are sent to the Host computer.(Factory Default)

Off : Disabled - Events are not sent to the Host computer.

The CNA has the ability to send system event logs to a Host P.C. via the LSN connection.

* *See Host user manual for more information*

S2-8 Content Player

- On : Enable
Off : Disable (Factory Default)

This switch allows the eCNA to interact with a digital content player. Serial commands exchanged between the content player and CNA automation allows the digital projector and film projector to share the screen in a coordinated manner.

** See CAI user Guide for further information*

S3-1 Program Edit Key Password

- On : Enable (Password required to edit but not to view programs)
Off : Disable (No password required for program edit) (Factory Default)

“View only” mode indicated by Program Edit LED Flashing

S3-6 RCM/RSM-10 “Check Focus Alarm”

- On : Enable the RSM/RCM-10 Alarm (Factory Default)
Off : Disable the RSM/RCM-10 Alarm
Enables/ disables alarm on RSM/ RCM 10/ 20. Alarm (when enabled) will sound to warn projectionist to check focus before the start of a show and after check focus delay.

S3-7 TCP Host

- On : TCP host routing enabled
Off : LSN Host routing enabled (Factory Default)

Configures which port the eCNA uses for Host communications. The eCNA can send and receive host information via ethernet or standard LSN depending on this switch’s configuration.

S3-8 Default internet parameters

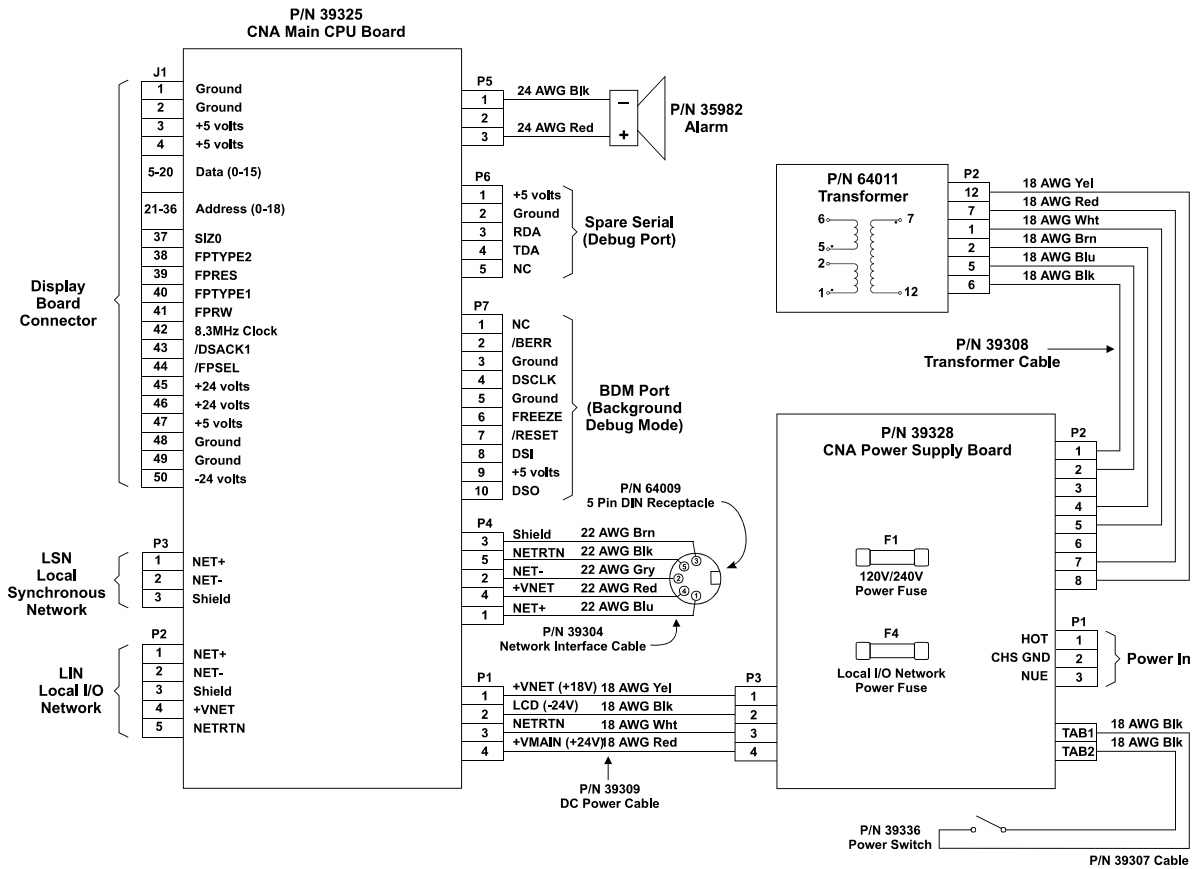
- On : Default parameters used TCP/IP
Off : User parameters used for TCP/IP (Factory Default)

This switch disables user defined EEPROM parameters and enables default IP of 192.168.0.254 and half duplex communication. This is of obvious value to the technician configuring the eCNA in the field. This selection would allow a unit with unknown IP parameters to be used for troubleshooting or substitution without re-configuring it.

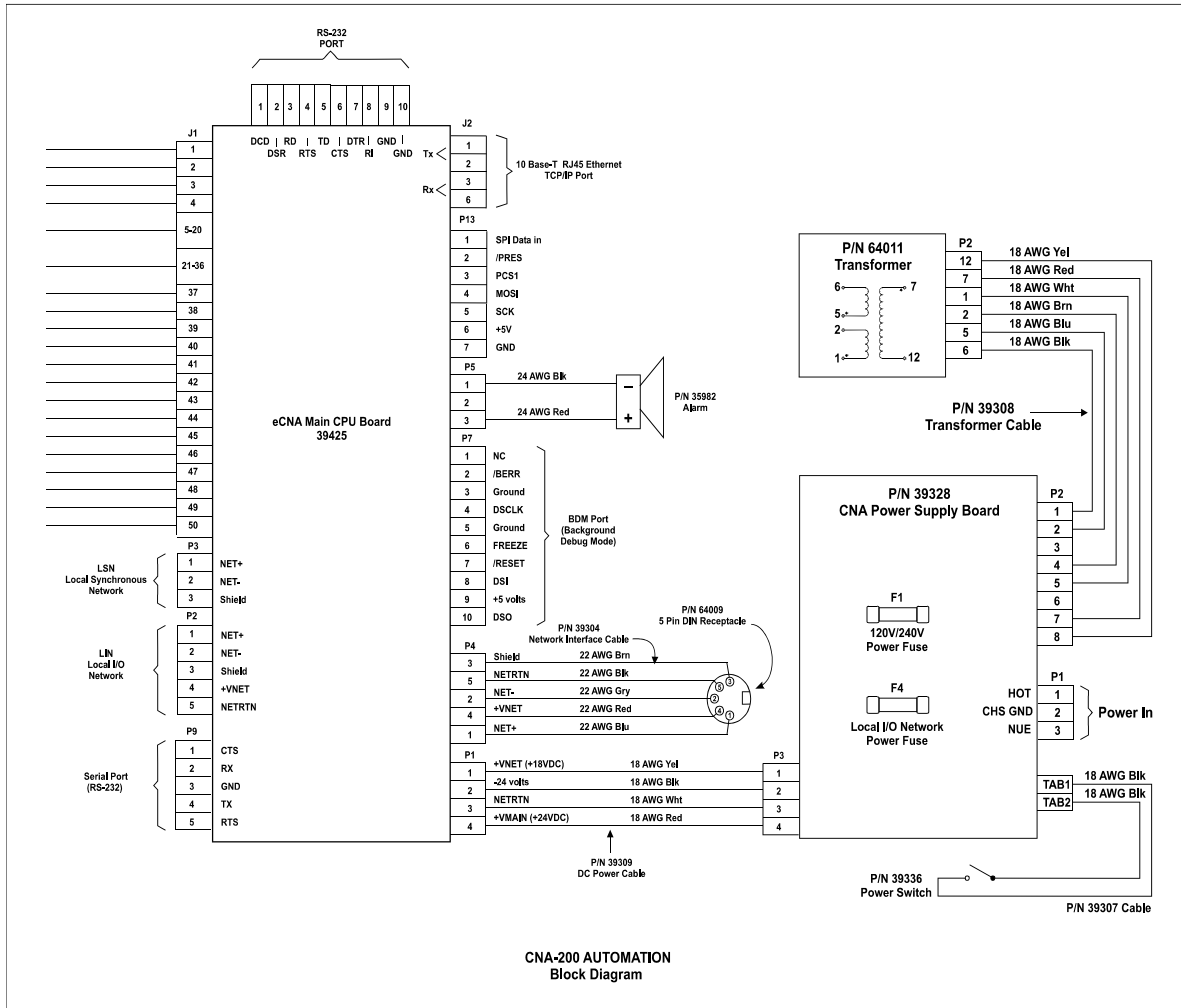
S3-2 to 3-5 Undefined, Always Off (Factory Default)

These switches are undefined and should remain default “OFF”.

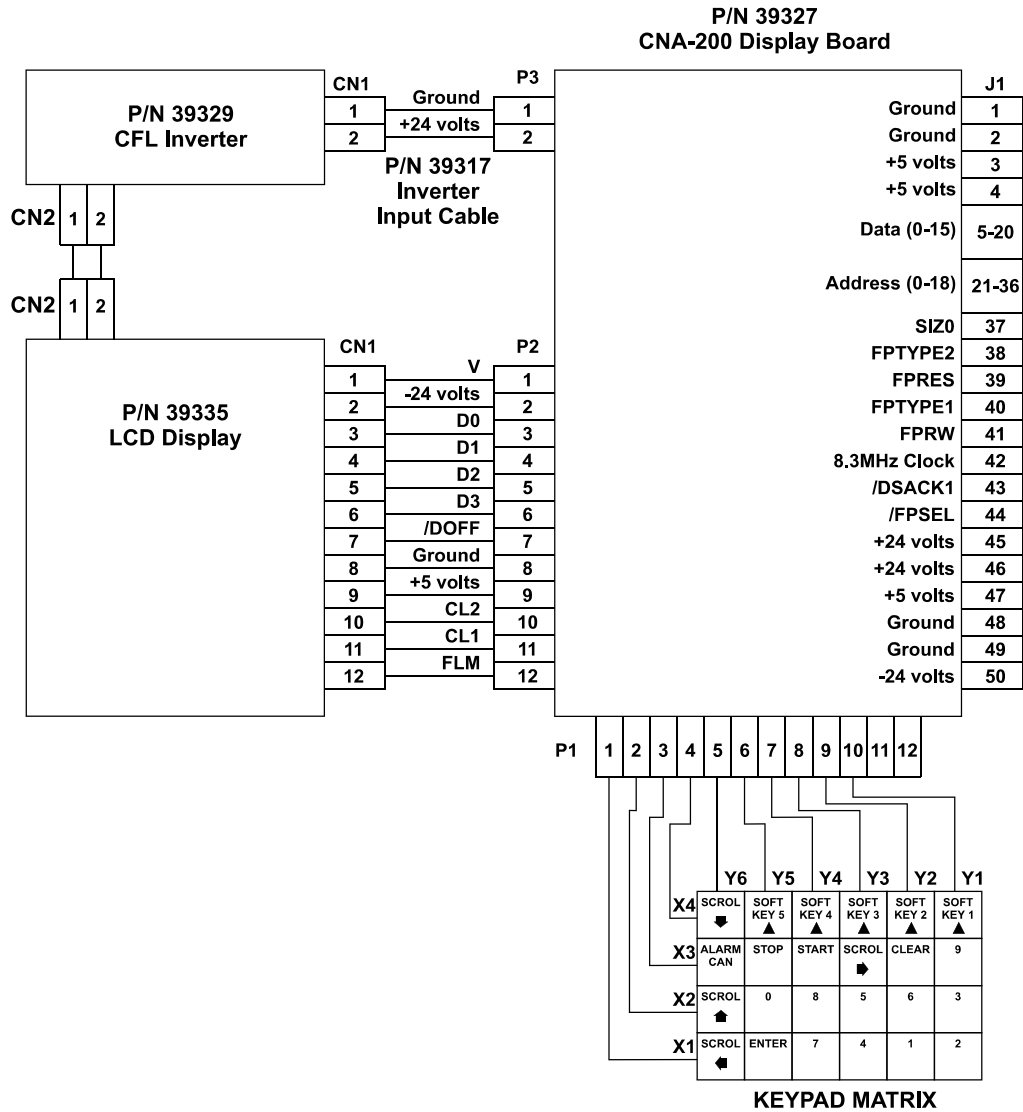
System Block Diagrams



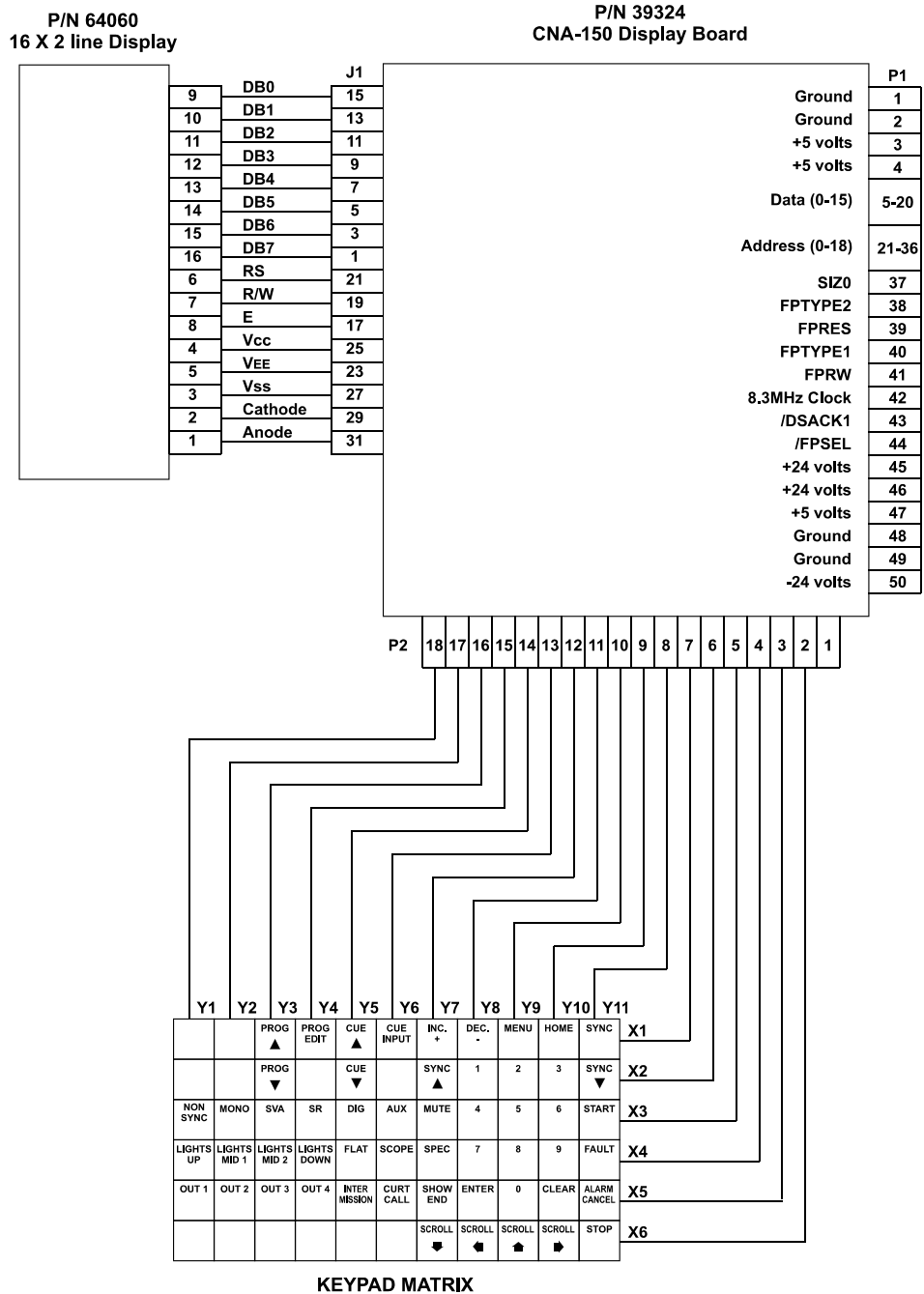
CNA Main CPU Board and Power Supply
Figure 46



eCNA Mainboard and Power Supply
Figure 47



CNA-200 Keyboard and Display Block Diagram
Figure 48



CNA-150 Keyboard and Display Block Diagram
Figure 49

System Hardware Configuration

Automation ID No. _____

Termination Panel Jumper Configuration

SINGLE PANEL		DUAL PANELS			
P/N 39332		CONSOLE P/N 39330		BOOTH P/N 39331	
JUMPER	SETTING	JUMPER	SETTING	JUMPER	SETTING
W1	<input type="checkbox"/> 1-2 FILM TENSION <input type="checkbox"/> 2-3 REMOTE STOP	W1	<input type="checkbox"/> 1-2 PANEL #1 <input type="checkbox"/> 2-3 PANEL #2	W1	<input checked="" type="checkbox"/> 1-2 UNDEFINED <input type="checkbox"/> 2-3 UNDEFINED
W2	<input checked="" type="checkbox"/> 1-2 UNDEFINED <input type="checkbox"/> 2-3 UNDEFINED	W2	<input checked="" type="checkbox"/> 1-2 UNDEFINED <input type="checkbox"/> 2-3 UNDEFINED	W2	<input checked="" type="checkbox"/> 1-2 UNDEFINED <input type="checkbox"/> 2-3 UNDEFINED
W3	<input checked="" type="checkbox"/> 1-2 UNDEFINED <input type="checkbox"/> 2-3 UNDEFINED	W3	<input checked="" type="checkbox"/> 1-2 UNDEFINED <input type="checkbox"/> 2-3 UNDEFINED	W3	<input checked="" type="checkbox"/> 1-2 UNDEFINED <input type="checkbox"/> 2-3 UNDEFINED
W4	<input checked="" type="checkbox"/> 1-2 UNDEFINED <input type="checkbox"/> 2-3 UNDEFINED	W4	<input checked="" type="checkbox"/> 1-2 UNDEFINED <input type="checkbox"/> 2-3 UNDEFINED	W4	<input checked="" type="checkbox"/> 1-2 UNDEFINED <input type="checkbox"/> 2-3 UNDEFINED
W5	<input type="checkbox"/> 1-2 BYPASS ON <input type="checkbox"/> 2-3 BYPASS OFF	W5	<input type="checkbox"/> 1-2 BYPASS ON <input type="checkbox"/> 2-3 BYPASS OFF	W5	<input type="checkbox"/> 1-2 BYPASS ON <input type="checkbox"/> 2-3 BYPASS OFF
W6	<input type="checkbox"/> 1-2 BYPASS ON <input type="checkbox"/> 2-3 BYPASS OFF	W6	<input type="checkbox"/> 1-2 BYPASS ON <input type="checkbox"/> 2-3 BYPASS OFF	W6	<input type="checkbox"/> 1-2 BYPASS ON <input type="checkbox"/> 2-3 BYPASS OFF
W7	<input type="checkbox"/> 1-2 BYPASS ON <input type="checkbox"/> 2-3 BYPASS OFF	W7	<input type="checkbox"/> 1-2 BYPASS ON <input type="checkbox"/> 2-3 BYPASS OFF	W7	<input type="checkbox"/> 1-2 BYPASS ON <input type="checkbox"/> 2-3 BYPASS OFF

CNA DIP Switch Configuration

MAIN BOARD P/N 39325/39425							
S1							
1	2	3	4	5	6	7	8
<input type="checkbox"/> ON <input type="checkbox"/> OFF	<input type="checkbox"/> ON <input type="checkbox"/> OFF	<input type="checkbox"/> ON <input type="checkbox"/> OFF	<input type="checkbox"/> ON <input type="checkbox"/> OFF	<input type="checkbox"/> ON <input type="checkbox"/> OFF	<input type="checkbox"/> ON <input type="checkbox"/> OFF	<input type="checkbox"/> ON <input type="checkbox"/> OFF	<input type="checkbox"/> ON <input type="checkbox"/> OFF
S2							
1	2	3	4	5	6	7	8
<input type="checkbox"/> ON <input type="checkbox"/> OFF	<input type="checkbox"/> ON <input type="checkbox"/> OFF	<input type="checkbox"/> ON <input type="checkbox"/> OFF	<input type="checkbox"/> ON <input type="checkbox"/> OFF	<input type="checkbox"/> ON <input type="checkbox"/> OFF	<input type="checkbox"/> ON <input type="checkbox"/> OFF	<input type="checkbox"/> ON <input type="checkbox"/> OFF	<input type="checkbox"/> ON <input type="checkbox"/> OFF
S3							
1	2	3	4	5	6	7	8
<input type="checkbox"/> ON <input type="checkbox"/> OFF	<input type="checkbox"/> ON <input checked="" type="checkbox"/> OFF	<input type="checkbox"/> ON <input checked="" type="checkbox"/> OFF	<input type="checkbox"/> ON <input checked="" type="checkbox"/> OFF	<input type="checkbox"/> ON <input checked="" type="checkbox"/> OFF	<input type="checkbox"/> ON <input type="checkbox"/> OFF	<input type="checkbox"/> ON <input type="checkbox"/> OFF	<input type="checkbox"/> ON <input type="checkbox"/> OFF

Index:

39325	56
39328	10
39330	16
39331	28
39332	36
39334	17
39346	33
39349	44
39444	33
39449	47
Alarm Loudness	56
Battery	57
Booth Termination Board	27
Booth Termination Cabinet	48
Booth Termination Panel	5
Bootloader	63
BTC-10	48
BTC-10 cabinet	47
Check Focus Alarm	69, 77
Check Focus delay	60, 64, 68, 72, 76
CNA Main Board	53
CNA-100/ 150	71
CNA-200 Switch Definitions	62
Communications Wiring	12
Condition codes	17
Configuring the CNA System	53
Console Termination Board	15
Console Termination Panel	4
Contact Strong International	1
Control Panel	2
Daisy-chain topology	2
Default parameters	69
Defaults	59, 63
Description	2
DIP switch Configuration	58
Dual termination	3
Equipment Required	8
FIRE STOP OPTION	41
Fire-Stop Option	60, 64
Good ground	9
I/O CPU Board	17
ID, Network	59, 63, 67, 71, 75
Inspection	8
Installation	8
Introduction	1
LIN	2
LIN cable specifications	13
Line power fuse	11
Local I/O Network	2

Local I/O Network Com Port	7
Local I/O Network power fuse	11
Local Synchronous Network	2
Local Synchronous Network Com port	7
LSN	2
LSN cable specifications	13
Manual Control	59, 63
Modification	39
Network ID	53, 59, 63, 67, 71, 75
Noise	8
Introduction	1, 3, 7, 13, 17, 49, 55, 63
Operator Interface	7
Power Supply	9
REMOTE STOP/FIRE STOP OPTION	31
Single distribution point	8
Single termination	3
Single Termination Board	36
Single Termination Panel	6
Status LED	17
Status LEDs	56
Switch Definitions, CNA-200	63
Switch Definitions, eCNA-200	59
System Block Diagrams	78
System Components	3
System Overview	1
Termination Boards	15
Termination Panels	3
Wiring	8
Wiring Technique	14

List of Illustrations:

Figure 1: Power supply Configuration	Figure 14: 39331 Illustrated
Figure 2: Power Supply Wiring	Figure 15: 39331 Block diagram
Figure 3: Termination Board wiring	Figure 16: 39331 FireStop Wiring
Figure 4: Correct Wiring technique	Figure 17: 39346 Booth Cable
Figure 5: 39330 Illustrated	Figure 18: 39444 Curtain Override
Figure 6: 39330 Block diagram	Figure 19: 39449 Masking Override
Figure 7: Relay Illustration	Figure 20: 39331 Jumper Config
Figure 8: 39334 Status LED	Figure 21: 39332 Illustrated
Figure 9: Status LED Timing diagram	Figure 22: 39332 Block diagram
Figure 10: 39347 LIN Cable	Figure 23: Relay Illustration
Figure 11: 39348 LSN Cable	Figure 24: 39332 FireStop wiring
Figure 12: 39330 Jumper Config	Figure 25: 39332 Jumper configuration
Figure 13: 39349 Console Override	

- Figure 26: 39349 Console Override
- Figure 27: 39346 Booth Override
- Figure 28: 39444 Curtain Override
- Figure 29: 39449 Masking Override
- Figure 30: BTC Installation Illustration
- Figure 31: BTC Wiring Illustration
- Figure 32: BTC Dimension
- Figure 33: BTC Front Panel
- Figure 34: 39344 Wiring harness
- Figure 35: 39345 Wiring Harness
- Figure 36: Sync ID Config
- Figure 37: Sync ID table
- Figure 38: Alarm and Status LED Location

- Figure 39: CNA Battery location
- Figure 40: eCNA Battery Location
- Figure 41: eCNA-200 DIP Switch Config
- Figure 42: CNA-200 DIP Switch Config
- Figure 43: eCNA-150 DIP Switch Config
- Figure 44: CNA-100/150 DIP Switch Config
- Figure 45: eCNA-100 DIP Switch Config
- Figure 46: CNA Mainboard + Supply Diag
- Figure 47: eCNA Mainboard + Supply Diag
- Figure 48: CNA-200 Keypad + Disp Diag
- Figure 49: CNA-150 Keypad + Disp Diag
- Figure 50: CNA-100 Keypad + Disp Diag

Replacement Parts:

Below is a listing of the major components for each CNA automation. This information is provided to assist the technician or automation owner when an automation fails or is damaged. The part numbers will help speed the process of ordering replacement components and should help ensure that proper items are sent.

Part Description	Strong P/N	EPRAD P/N
CNA Power Supply PC Board	5198304	39328
CNA Power Transformer		64011
DPST Rocker Switch, Power and Overrides		39336
SPDT Rocker Switch, Overrides		39337
SPDT Rocker Switch, Overrides		39338
DC Power Harness (Power supply to CPU board)		39309
Piezo Transducer (Alarm)		39307
CNA CPU Board	5172008	39325
eCNA CPU Board		39425-1

CNA-100 Specific Parts

CNA-100 Display PCB	5172009	39326
CNA-100 Front Panel (Keypad Overlay, Switches and Metal)		39310

CNA-150 Specific Parts

CNA-150 Display PCB		39324-PCB
CNA-150 Front Panel (Keypad Overlay, Switches and Metal)		39521
CNA-150 LCD (Display Only)		64060

CNA-200 Specific Parts

CNA-200 Display PCB		39327-1
CNA-200 (Display Only)	5172011	39335
CNA-200 Front Panel (Keypad Overlay, Switches and Metal)		39320
Inverter PCB		39329
Replacement Display Backlight Lamp		39319
Display Conversion kit, Stanley to Optrex		39302